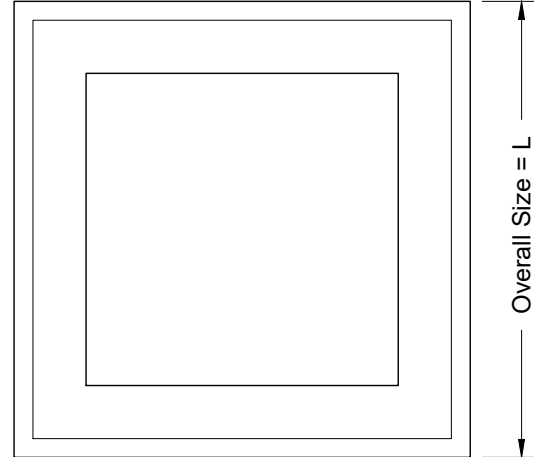
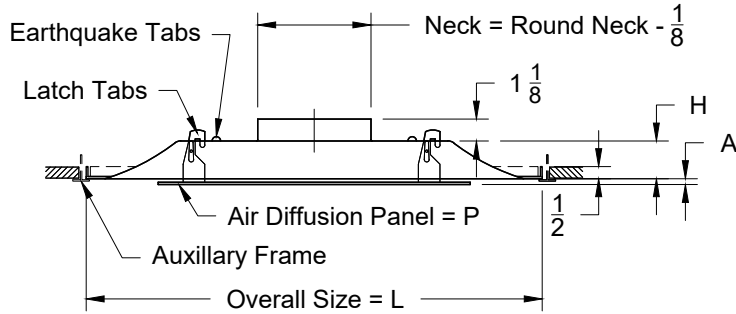


Model: 5750-1 Square Plaque Face Diffuser - Round Neck - Flush Surface Mount
 5750-6 Square Plaque Face Diffuser - Round Neck - T-Bar Lay-In

5750-1 - Flush Surface Mount

Face View



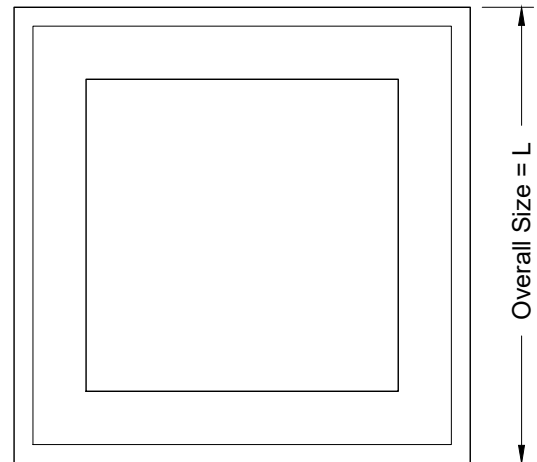
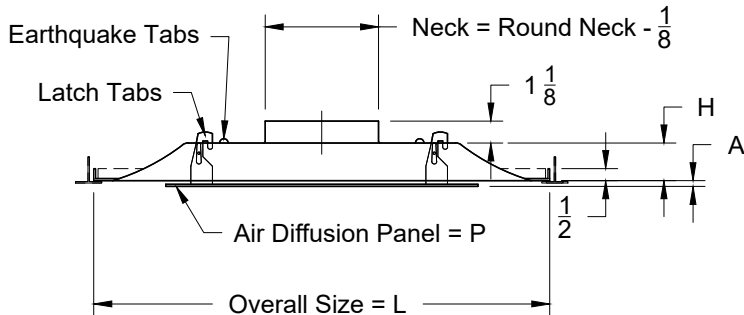
Module Size	L	P	H	A
24 x 24	23 3/4	18 x 18	2 1/2	1/8
12 x 12	11 5/8	9 x 9	1	1/2

12X12 Face

Note: For surface mount installations use of plaster frame is recommended

5750-6 - T-Bar Lay-In

Face View



Module Size	L	P	H	A
24 x 24	23 3/4	18 x 18	2 1/2	1/8
12 x 12	11 5/8	9 x 9	1	1/2

12X12 Face

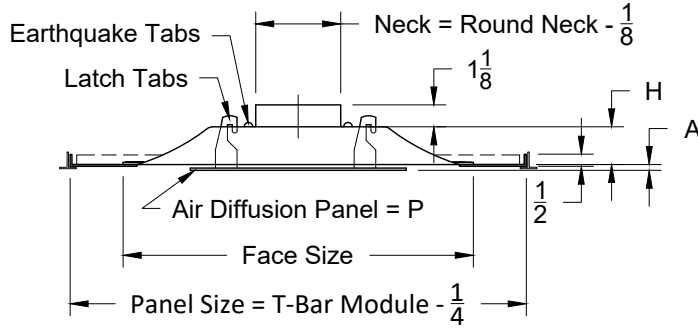
1. Available Finishes	2. Available Accessories	3. Available Options	4. Construction Details
Standard Finish: 01 White Optional Finish 02 Satin Silver 03 Black 28 Custom Color	BDS - Butterfly Damper RSD - Radial Shutter Damper G3 - Equalizing Grid BAF - Directional Baffles TBPF - T-Bar Plaster Frame EQS - Earthquake Straps BO - Blank-Off	FGBP - Fiberglass Backpan 2"BC - 2" Beaded Inlet Collar	<ul style="list-style-type: none"> Available Sizes Only as Listed Available Neck Sizes as Listed: 6, 8, 10, 12, 14 and 15 Materials: Available in Steel and Aluminum Consult Software for Available Border Types

All Dimensions ±1/16"

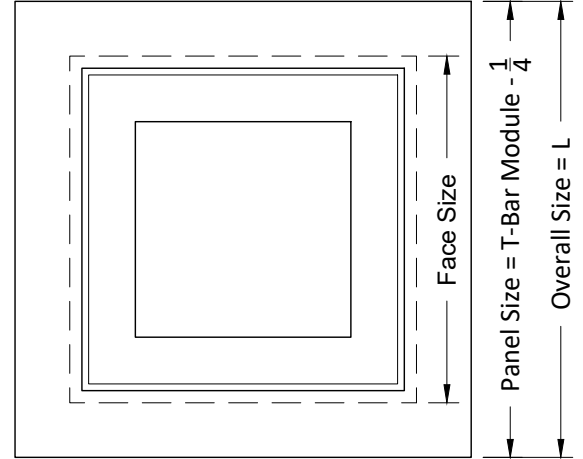
Model: 5750-6P

Square Plaque Face Diffuser - Round Neck - Lay in T-Bar Panel

5750-6P - Lay in T-Bar Panel



Face View



Listed Size

Face	Panel	L	P	H	A
12 x 12	20 x 20	19 3/4	9 x 9	1	1/2
12 x 12	24 x 24	23 3/4	9 x 9	1	1/2
12 x 12	30 x 30	29 3/4	9 x 9	1	1/2
24 x 24	30 x 30	29 3/4	18 x 18	2 1/2	1/8

1. Available Finishes

Standard Finish:
 01 White
 Optional Finish
 02 Satin Silver
 03 Black
 28 Custom Color

2. Available Accessories

BDS - Butterfly Damper
 RSD - Radial Shutter Damper
 G3 - Equalizing Grid
 BAF - Directional Baffles
 TBPF - T-Bar Plaster Frame
 EQS - Earthquake Straps
 BO - Blank-Off

3. Available Options

FGBP - Fiberglass Backpan
 2"BC - 2" Beaded Inlet Collar

4. Construction Details

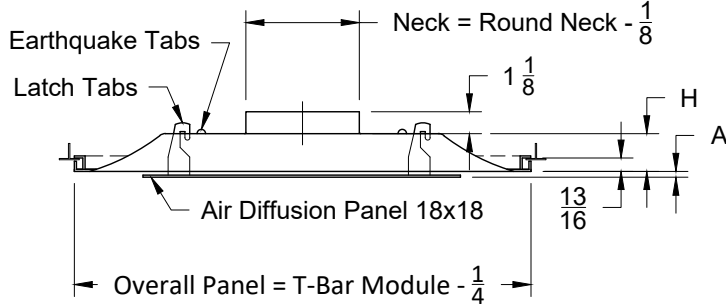
- Available Sizes Only as Listed
- Available Neck Sizes as Listed: 6, 8, 10, 12, 14 and 15
- Materials: Available in Steel and Aluminum
- Consult Software for Available Border Types

All Dimensions $\pm 1/16"$

Model: 5750-7
 5750-9

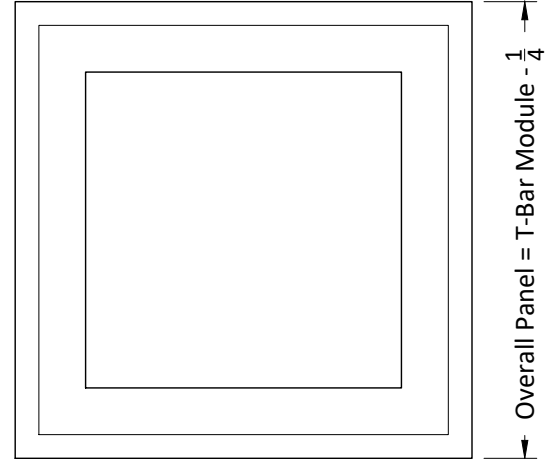
Square Plaque Face Diffuser - Round Neck - Concealed Spline Module
 Square Plaque Face Diffuser - Round Neck - Bolt Slot / Donn Finline Module

5750-7 - Concealed Spline Module

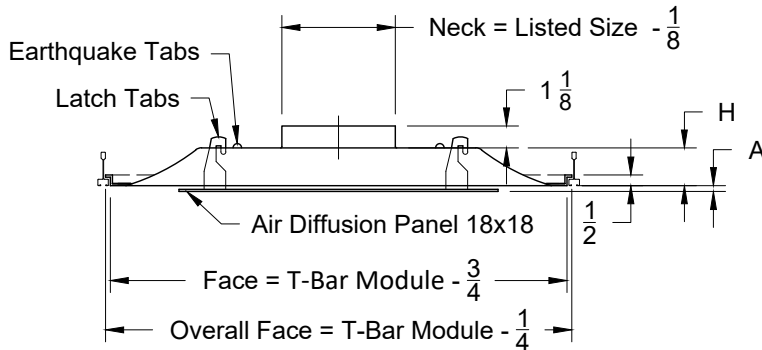


Module Size	L	H	A
24 x 24	23 3/4	2 1/2	1/8

Face View

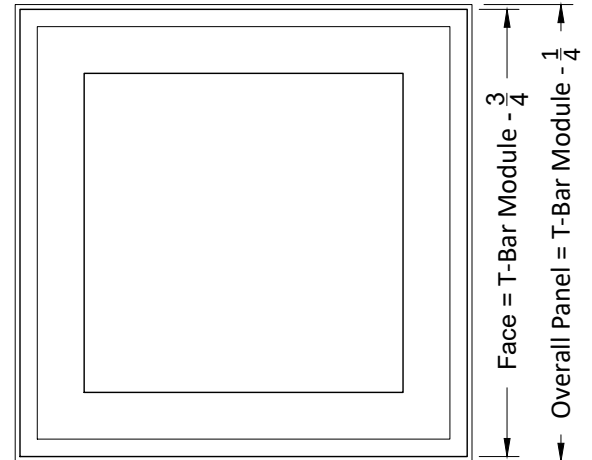


5750-9 Bolt Slot / Donn Finline Module



Module Size	L	H	A
24 x 24	23 3/4	2 1/2	1/8

Face View



1. Available Finishes

Standard Finish:
 01 White
 Optional Finish
 02 Satin Silver
 03 Black
 28 Custom Color

2. Available Accessories

BDS - Butterfly Damper
 RSD - Radial Shutter Damper
 G3 - Equalizing Grid
 BAF - Directional Baffles
 TBPF - T-Bar Plaster Frame
 EQS - Earthquake Straps
 BO - Blank-Off

3. Available Options

FGBP - Fiberglass Backpan
 2"BC - 2" Beaded Inlet Collar

4. Construction Details

- Available Sizes Only as Listed
- Available Neck Sizes as Listed: 6, 8, 10, 12, 14 and 15
- Materials: Available in Steel and Aluminum
- Consult Software for Available Border Types

All Dimensions ±1/16"