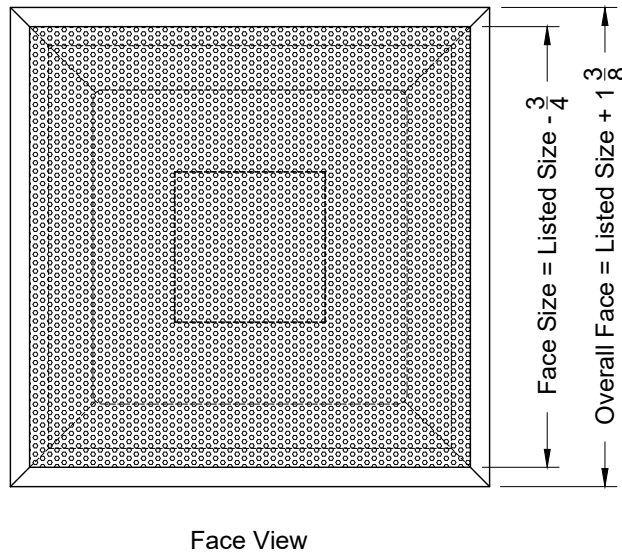
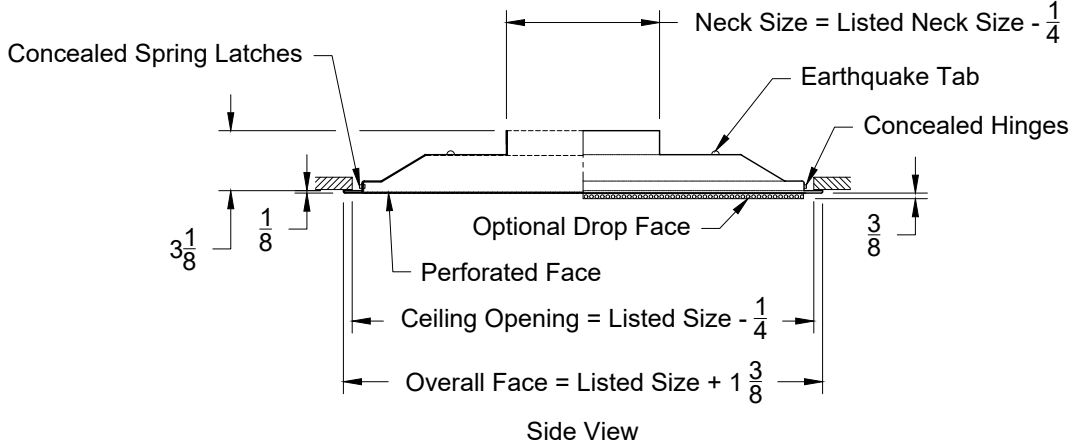


Model: 7550R-1 Perforated Hinged Face - Flush Surface Mount

7550R-1 - Flush Surface Mount



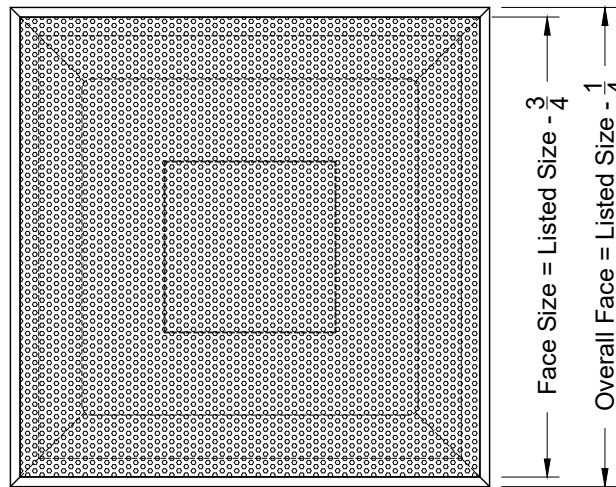
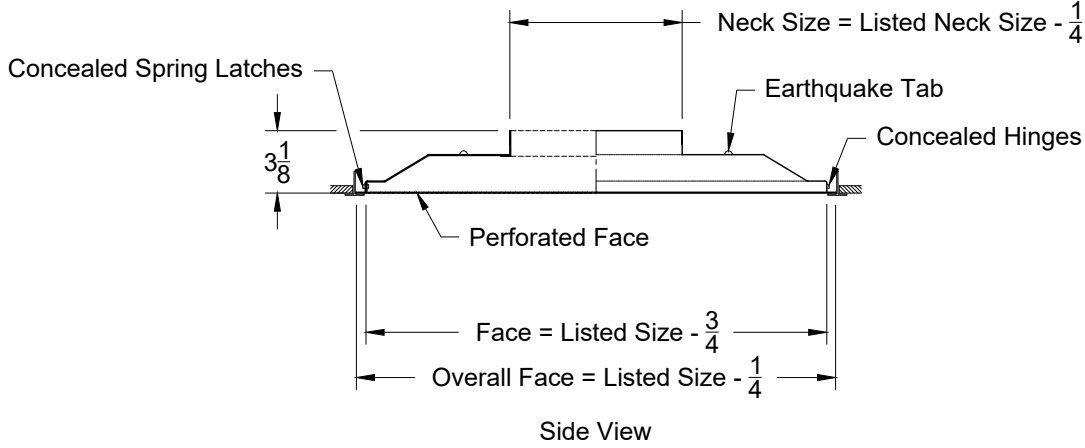
Listed Size
Nominal
Face
24 x 24

Square
Neck Inlets
6 x 6
8 x 8
10 x 10
12 x 12
14 x 14
16 x 16

1. Available Finishes	2. Available Accessories	3. Available Options	4. Construction Details
Standard Finish: 01 White Finish 02 Satin Silver 03 Black 22 BBP - Black Backpan - White Face Optional Finish 28 Custom Color	OBD - Opposed Blade Damper Steel OBDA - OBD Aluminum L9 - Equalizing Grid (Sq./Rect.) TR - Square to Round TR DEEP - Deep Square to Round	AF - Aluminum Face DF - Drop Face	<ul style="list-style-type: none"> Steel Construction (Standard) Sizes Available only as listed Face is Hinged Note: Units with 12x12 nominal face can only have a neck size of 10x10
All Dimensions $\pm 1/16"$			

Model: 7550R-6 Perforated Hinged Face - Lay In T-Bar

7550R-6 - Lay in T-Bar



Listed Size
Nominal
Face
24 x 24

Square Neck Inlets
6 x 6
8 x 8
10 x 10
12 x 12
14 x 14
16 x 16
18 x 18
22 x 22

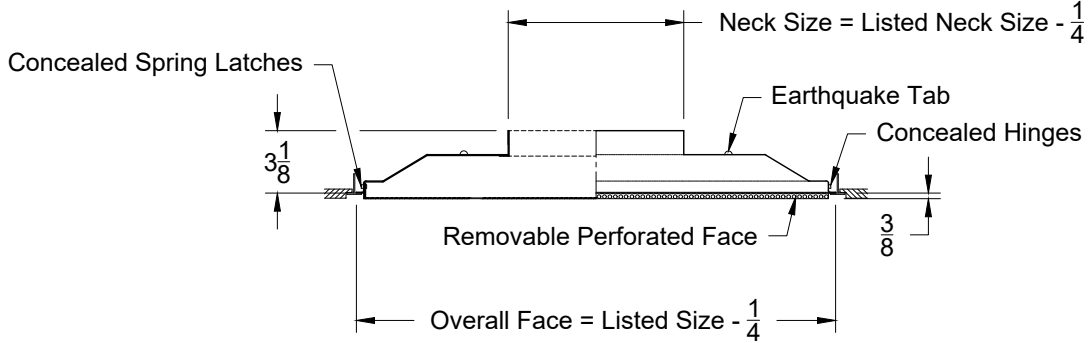
1. Available Finishes	2. Available Accessories	3. Available Options	4. Construction Details
Standard Finish: 01 White Finish 02 Satin Silver 03 Black 22 BBP - Black Backpan - White Face Optional Finish 28 Custom Color	OBD - Opposed Blade Damper Steel OBDA - OBD Aluminum TBPF - T-Bar Plaster Frame L9 - Equalizing Grid (Sq./Rect.) TR - Square to Round TR DEEP - Deep Square to Round EQS - Earthquake Straps	AF - Aluminum Face AL - Aluminum Face and Backpan	<ul style="list-style-type: none"> Steel Construction (Standard) Sizes Available only as listed Face is Hinged Note: Units with 12x12 nominal face can only have a neck size of 10x10

All Dimensions $\pm 1/16"$

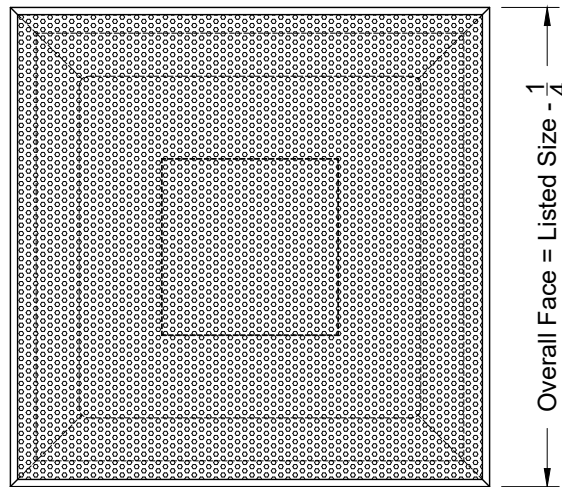
Model: 7550R-8

Perforated Hinged Face - Tegular T-Bar

7550R-8 - Tegular T-Bar



Side View



Face View

Listed Size
Nominal
Face
24 x 24

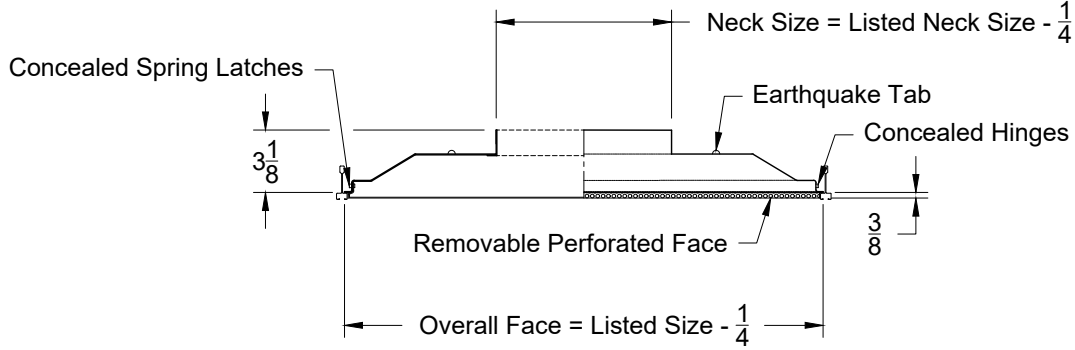
Square
Neck Inlets
6 x 6
8 x 8
10 x 10
12 x 12
14 x 14
16 x 16

1. Available Finishes	2. Available Accessories	3. Available Options	4. Construction Details
Standard Finish: 01 White Finish 02 Satin Silver 03 Black 22 BBP - Black Backpan - White Face Optional Finish 28 Custom Color	OBD - Opposed Blade Damper Steel OBDA - OBD Aluminum L9 - Equalizing Grid (Sq./Rect.) TR - Square to Round TR DEEP - Deep Square to Round	AF - Aluminum Face AL - Aluminum Face and Backpan	<ul style="list-style-type: none"> Steel Construction (Standard) Sizes Available only as listed Face is Hinged Note: Units with 12x12 nominal face can only have a neck size of 10x10

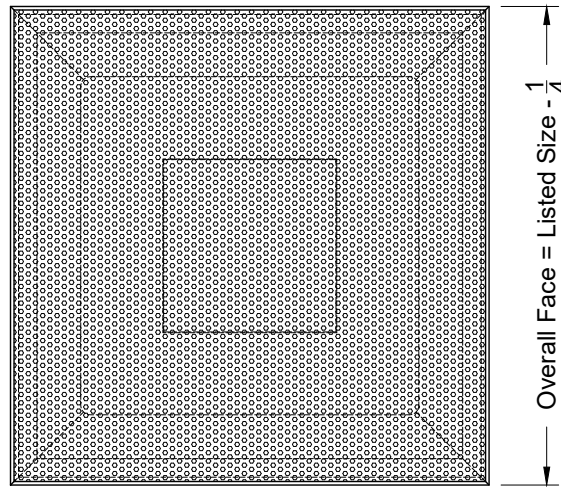
All Dimensions ±1/16"

Model: 7550R-9 Perforated Hinged Face - Bolt Slot/Donn Finline

7550R-9 - Donn Ceiling Grid



Side View



Face View

Listed Size
Nominal
Face
24 x 24

Square
Neck Inlets
6 x 6
8 x 8
10 x 10
14 x 14
16 x 16

1. Available Finishes	2. Available Accessories	3. Available Options	4. Construction Details
Standard Finish: 01 White Finish 02 Satin Silver 03 Black 22 BBP - Black Backpan - White Face Optional Finish 28 Custom Color	OBD - Opposed Blade Damper Steel OBDA - OBD Aluminum L9 - Equalizing Grid (Sq./Rect.) TR - Square to Round TR DEEP - Deep Square to Round EQS - Earthquake Straps		<ul style="list-style-type: none"> Steel Construction (Standard) Sizes Available only as listed Face is Hinged Note: Units with 12x12 nominal face can only have a neck size of 10x10

All Dimensions ±1/16"