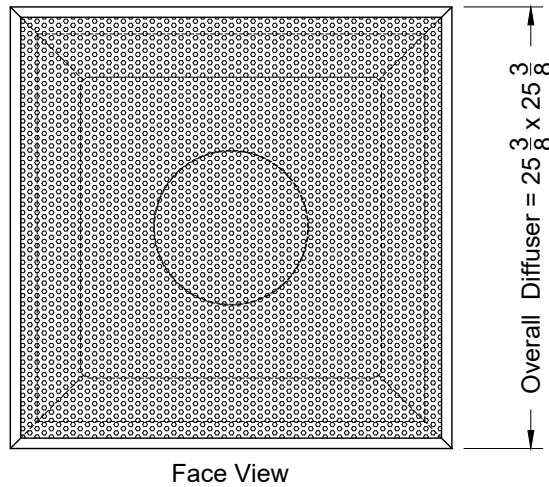
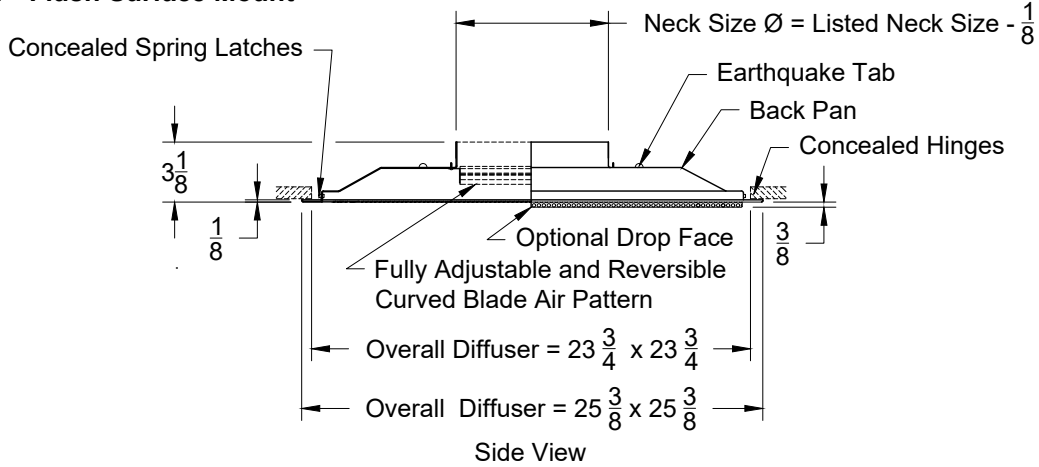


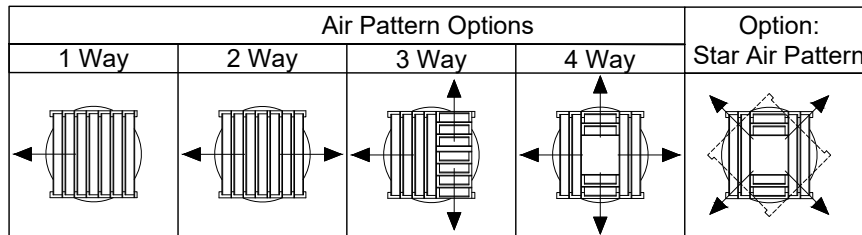
Model: 7600-1

Perforated Hinged Face with Curved Blade Core - Flush Surface Mount

7600-1 - Flush Surface Mount



Listed Size
Nominal
Face
24 x 24



Changing 4-Way Air Pattern to Star Pattern Using Standard 4-Way Diffuser
 Rotate Air Pattern Controller 45° for a More Radical "Star" Pattern Max Size 12 x 12

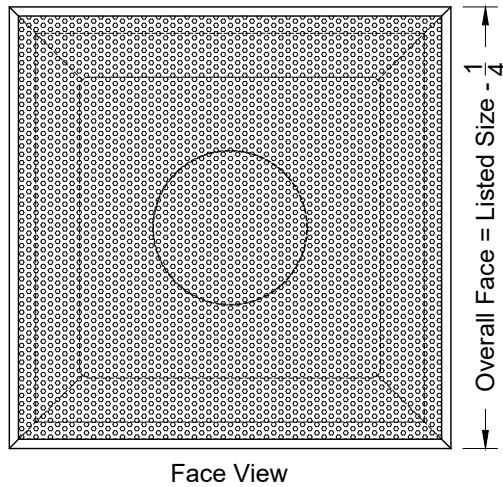
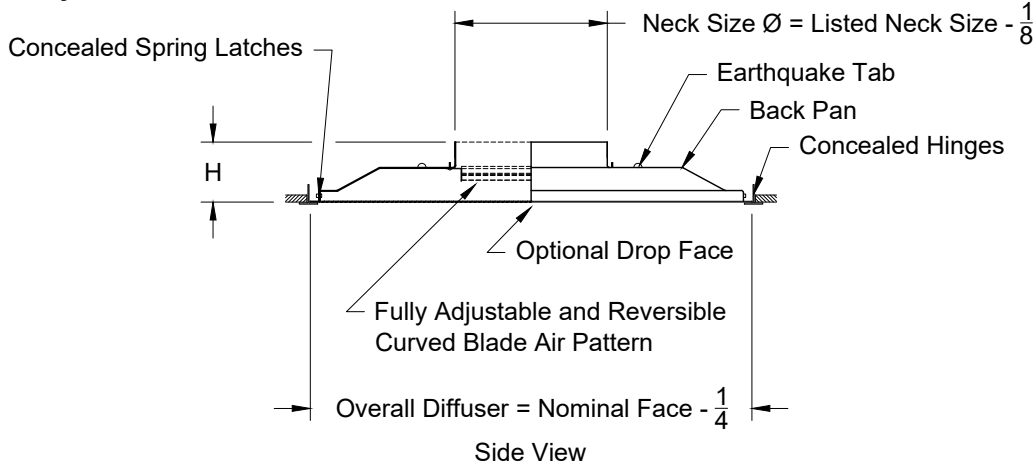
1. Available Finishes	2. Available Accessories	3. Available Options	4. Construction Details
Standard Finish: 01 White Finish 02 Satin Silver 03 Black 22 BBP - Black Backpan - White Face Optional Finish 28 Custom Color	BDS - Butterfly Damper RDS - Steel Radial Shutter Damper TBPF - T-Bar Plaster Frame G3 - Equalizing Grid (Round) FGBP - Fiberglass Backpan	AF - Aluminum Face DF - Drop Face AL - Aluminum Face and Backpan	<ul style="list-style-type: none"> Steel Construction (Standard) Sizes Available only as listed Neck sizes available: 6, 8, 10, 12, 14 & 16 Face is Hinged

All Dimensions ±1/16"

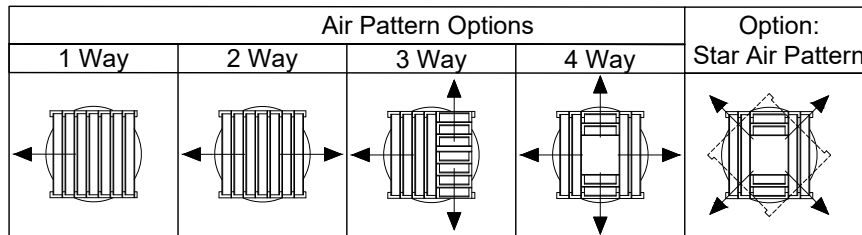
Model: 7600-6

Perforated Hinged Face with Curved Blade Core - Lay In T-Bar

7600-6 - Lay in T-Bar



Listed Size Nominal Face	Height H	Neck Sizes
12 x 12	4 1/4	6 & 8
24 x 24	3 1/8	6 to 16



Changing 4-Way Air Pattern to Star Pattern Using Standard 4-Way Diffuser
 Rotate Air Pattern Controller 45° for a More Radical "Star" Pattern Max Size 12 x 12

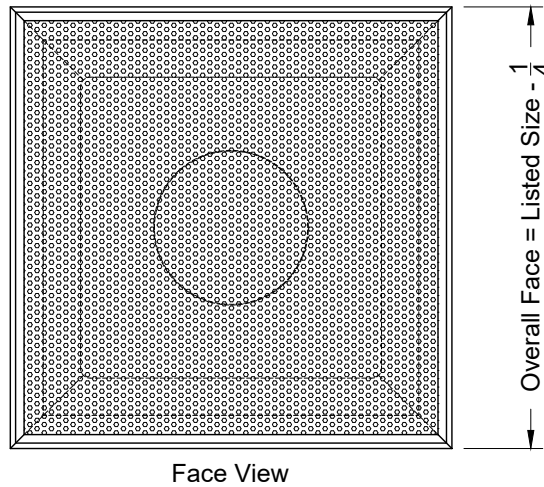
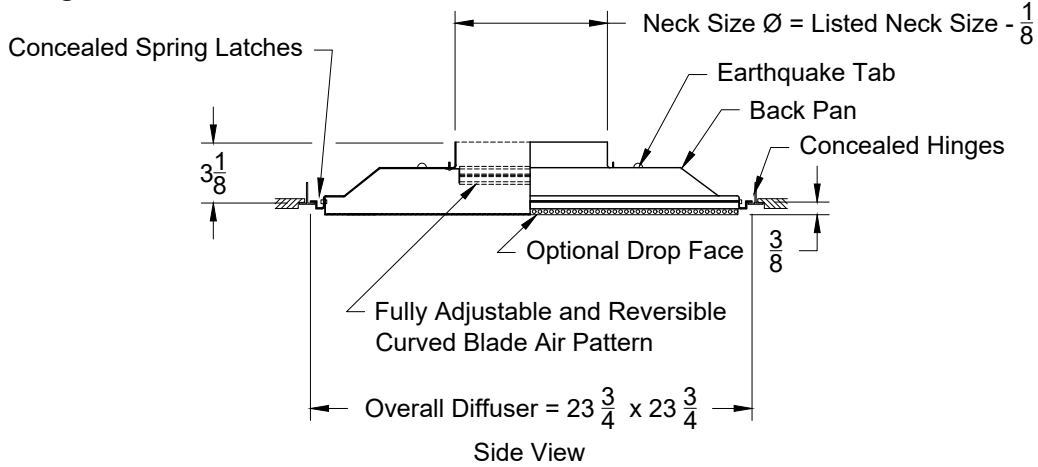
1. Available Finishes	2. Available Accessories	3. Available Options	4. Construction Details
Standard Finish: 01 White Finish 02 Satin Silver 03 Black 22 BBP - Black Backpan - White Face Optional Finish 28 Custom Color	BDS - Butterfly Damper RDS - Steel Radial Shutter Damper TBPF - T-Bar Plaster Frame G3 - Equalizing Grid (Round) FGBP - Fiberglass Backpan EQ - Earthquake Straps	AF - Aluminum Face DF - Drop Face AL - Aluminum Face and Backpan	<ul style="list-style-type: none"> Steel Construction (Standard) Sizes Available only as listed Neck sizes available: 6, 8, 10, 12, 14 & 16 Face is Hinged

All Dimensions ±1/16"

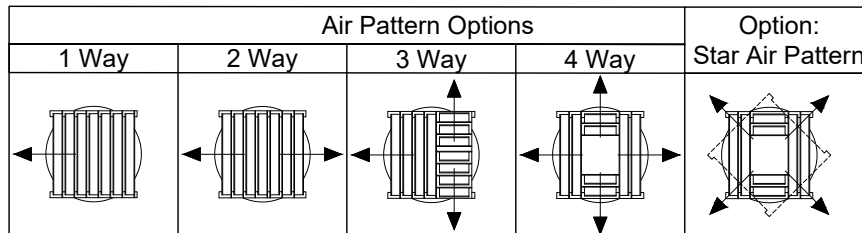
Model: 7600-8

Perforated Hinged Face with Curved Blade Core - Tegular T-Bar

7600-8 - Tegular T-Bar



Listed Size
Nominal
Face
24 x 24



Changing 4-Way Air Pattern to Star Pattern Using Standard 4-Way Diffuser
 Rotate Air Pattern Controller 45° for a More Radical "Star" Pattern Max Size 12 x 12

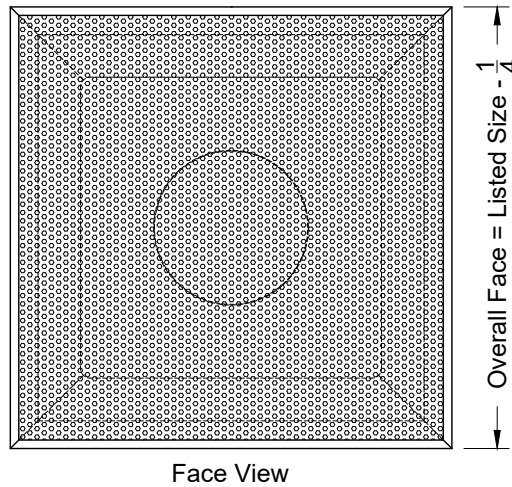
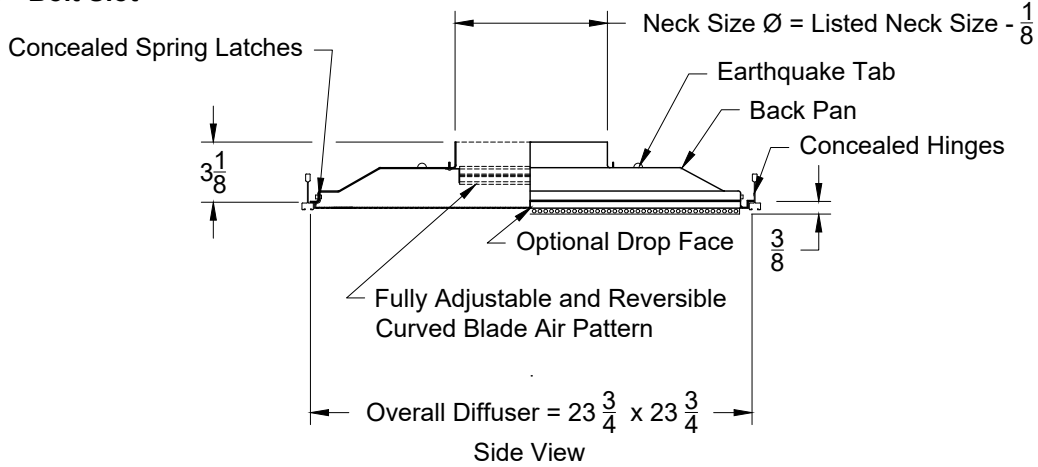
1. Available Finishes	2. Available Accessories	3. Available Options	4. Construction Details
Standard Finish: 01 White Finish 02 Satin Silver 03 Black 22 BBP - Black Backpan - White Face Optional Finish 28 Custom Color	BDS - Butterfly Damper RDS - Steel Radial Shutter Damper G3 - Equalizing Grid (Round) FGBP - Fiberglass Backpan	AF - Aluminum Face DF - Drop Face AL - Aluminum Face and Backpan	<ul style="list-style-type: none"> Steel Construction (Standard) Sizes Available only as listed Neck sizes available: 6, 8, 10, 12, 14 & 16 Face is Hinged

All Dimensions ±1/16"

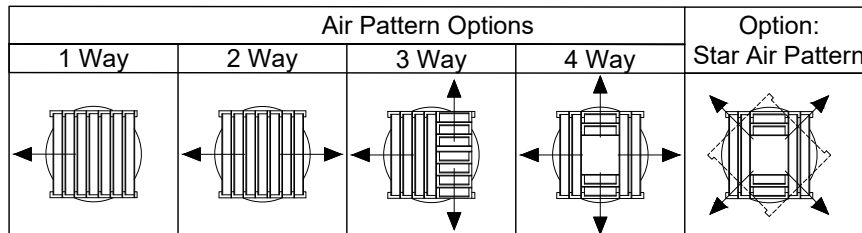
Model: 7600-9

Perforated Hinged Face with Curved Blade Core - Bolt Slot/Donn Fineline

7600-9 - Bolt Slot



Listed Size
Nominal
Face
24 x 24



Changing 4-Way Air Pattern to Star Pattern Using Standard 4-Way Diffuser
 Rotate Air Pattern Controller 45° for a More Radical "Star" Pattern Max Size 12 x 12

1. Available Finishes	2. Available Accessories	3. Available Options	4. Construction Details
Standard Finish: 01 White Finish 02 Satin Silver 03 Black 22 BBP - Black Backpan - White Face Optional Finish 28 Custom Color	BDS - Butterfly Damper RDS - Steel Radial Shutter Damper G3 - Equalizing Grid (Round) FGBP - Fiberglass Backpan EQ - Earthquake Straps	AF - Aluminum Face DF - Drop Face AL - Aluminum Face and Backpan	<ul style="list-style-type: none"> Steel Construction (Standard) Sizes Available only as listed Neck sizes available: 6, 8, 10, 12, 14 & 16 Face is Hinged

All Dimensions ±1/16"