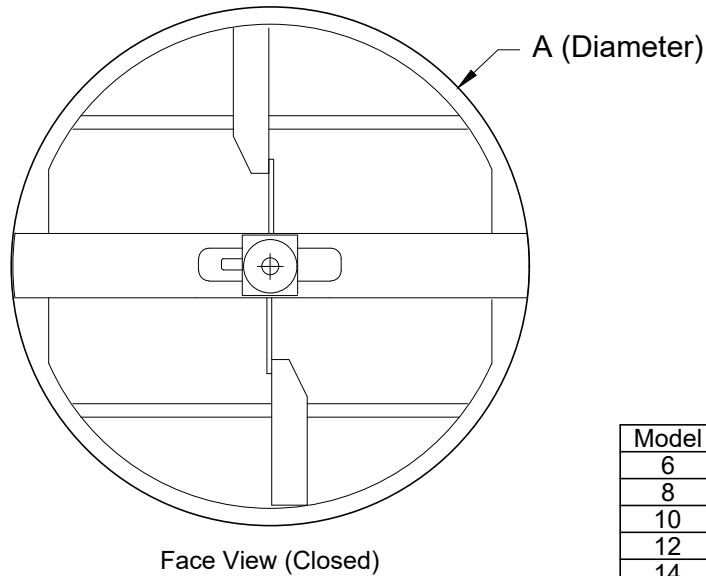
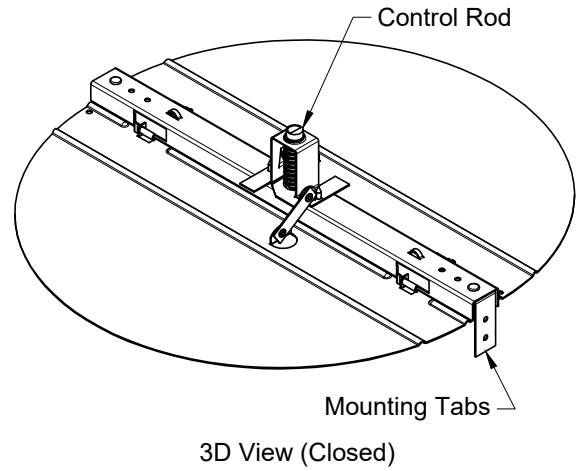
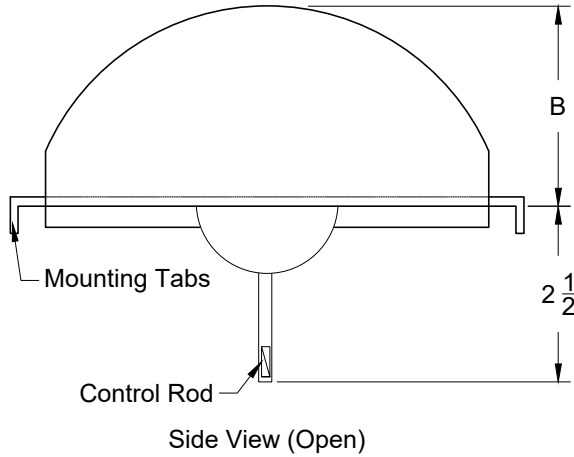


Model: BDS

Butterfly Damper for Round Diffuser

### BDS - Butterfly Damper



Model	A	B
6	5 3/4	2 1/2
8	7 3/4	3 1/2
10	9 3/4	4 1/2
12	11 3/4	5 1/2
14	13 3/4	6 1/2
15	14 3/4	7
16	15 3/4	7 1/2

1. Available Finishes	2. Available Accessories	3. Available Options	4. Construction Details
Standard Finish: 24 Mill Finish			<ul style="list-style-type: none"> <li>Steel Construction</li> <li>Available in sizes only as listed.</li> <li>All are shipped unattached.</li> </ul> <p>All Dimensions <math>\pm 1/16"</math></p>