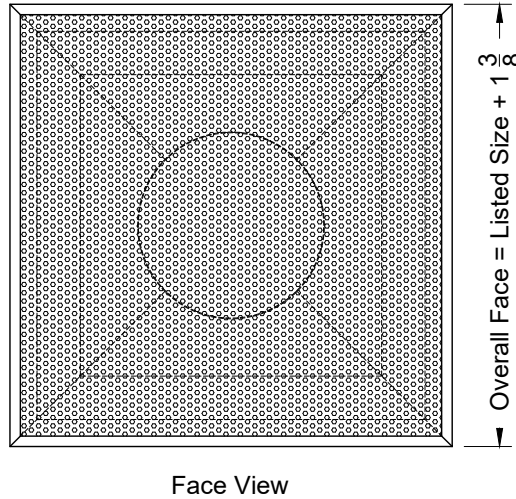
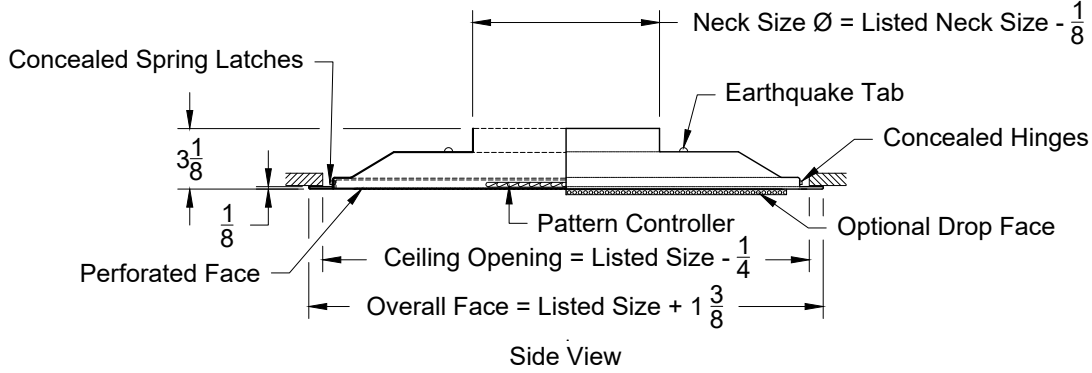


Model: 7500-1

Perforated Hinged Face with Face Mounted Pattern Controller - Flush Surface Mount

**7500-1 - Flush Surface Mount**



|             |
|-------------|
| Listed Size |
| Nominal     |
| Face        |
| 24 x 24     |
| 12 x 12     |

| Air Pattern Options |              |       |       |       | Fixed 360° Radial Round Air Controller |
|---------------------|--------------|-------|-------|-------|--|
| 1 Way               | 2 Way Corner | 2 Way | 3 Way | 4 Way |  |
|                     |              |       |       |       |  |

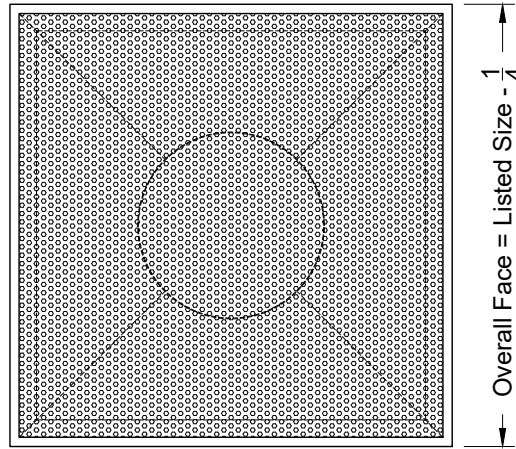
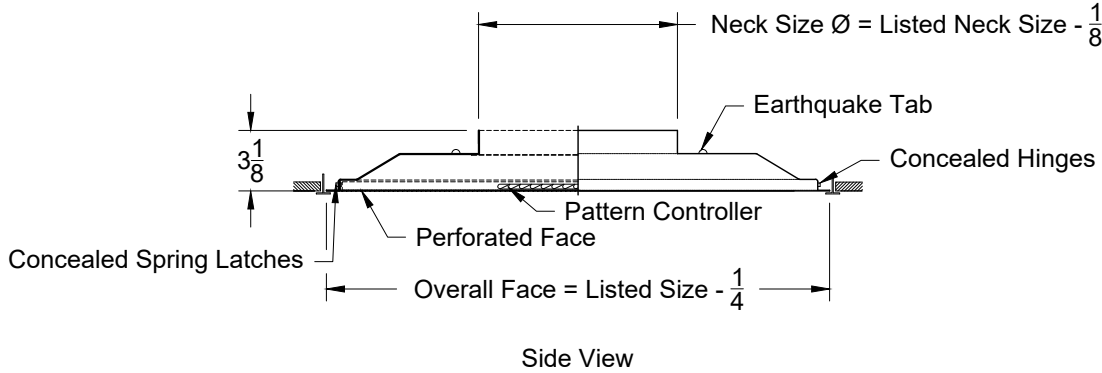
| 1. Available Finishes   | 2. Available Accessories  | 3. Available Options  | 4. Construction Details  |
|---|---|---|--|
| Standard Finish:<br>01 White<br>Finish<br>02 Satin Silver<br>03 Black<br>22 BBP - Black<br>Backpan - White Face<br>Optional Finish<br>28 Custom Color | BDS - Butterfly Damper<br>RDS - Steel Radial Shutter Damper<br>TBPF - T-Bar Plaster Frame<br>G3 - Equalizing Grid (Round) | AF - Aluminum Face<br>DF - Drop Face<br>AL - Aluminum<br>Face and Backpan | <ul style="list-style-type: none"> <li>Steel Construction (Standard)</li> <li>Sizes Available only as listed</li> <li>Neck sizes available:<br/>6, 8, 10, 12, 14 &amp; 16</li> <li>Face is Hinged</li> </ul> |

All Dimensions ±1/16"

Model: 7500-6

Perforated Hinged Face with Face Mounted Pattern Controller - Lay In T-Bar

**7500-6 - Lay in T-Bar**



|             |
|-------------|
| Listed Size |
| Nominal     |
| Face        |
| 24 x 24     |
| 12 x 12     |

| Air Pattern Options |              |       |       |       | Fixed 360° Radial Round Air Controller |
|---------------------|--------------|-------|-------|-------|--|
| 1 Way               | 2 Way Corner | 2 Way | 3 Way | 4 Way |  |
|                     |              |       |       |       |  |

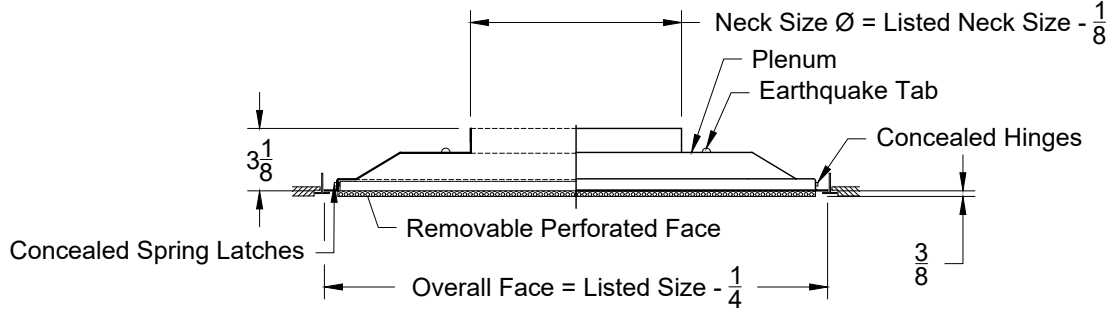
| 1. Available Finishes   | 2. Available Accessories  | 3. Available Options  | 4. Construction Details  |
|---|---|---|--|
| Standard Finish:<br>01 White<br>Finish<br>02 Satin Silver<br>03 Black<br>22 BBP - Black<br>Backpan - White Face<br>Optional Finish<br>28 Custom Color | BDS - Butterfly Damper<br>RDS - Steel Radial Shutter Damper<br>TBPF - T-Bar Plaster Frame<br>G3 - Equalizing Grid (Round)<br>EQ = Earthquake Straps | AF - Aluminum Face<br>DF - Drop Face<br>AL - Aluminum<br>Face and Backpan | <ul style="list-style-type: none"> <li>Steel Construction (Standard)</li> <li>Sizes Available only as listed</li> <li>Neck sizes available:<br/>6, 8, 10, 12, 14 &amp; 16</li> <li>Face is Hinged</li> </ul> |

All Dimensions ±1/16"

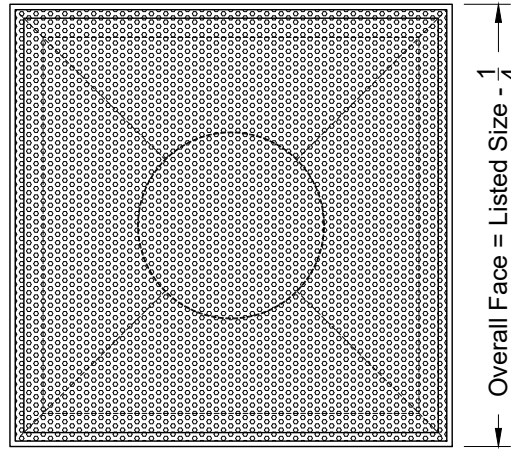
Model: 7500-8

Perforated Hinged Face with Face Mounted Pattern Controller - Tegular T-Bar

### 7500-8 - Tegular T-Bar



Side View



Face View

|             |
|-------------|
| Listed Size |
| Nominal     |
| Face        |
| 24 x 24     |
| 12 x 12     |

| Air Pattern Options |              |       |       |       | Fixed 360° Radial Round Air Controller |
|---------------------|--------------|-------|-------|-------|--|
| 1 Way               | 2 Way Corner | 2 Way | 3 Way | 4 Way |  |
|                     |              |       |       |       |  |

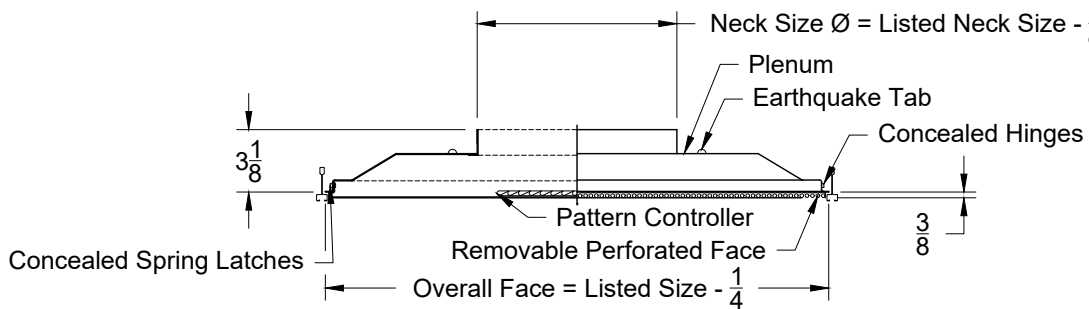
| 1. Available Finishes   | 2. Available Accessories  | 3. Available Options  | 4. Construction Details  |
|---|---|---|--|
| Standard Finish:<br>01 White<br>Finish<br>02 Satin Silver<br>03 Black<br>22 BBP - Black<br>Backpan - White Face<br>Optional Finish<br>28 Custom Color | BDS - Butterfly Damper<br>RDS - Steel Radial Shutter Damper<br>G3 - Equalizing Grid (Round) | AF - Aluminum Face<br>DF - Drop Face<br>AL - Aluminum<br>Face and Backpan | <ul style="list-style-type: none"> <li>Steel Construction (Standard)</li> <li>Sizes Available only as listed</li> <li>Neck sizes available:<br/>6, 8, 10, 12, 14 &amp; 16</li> <li>Face is Hinged</li> </ul> |

All Dimensions ±1/16"

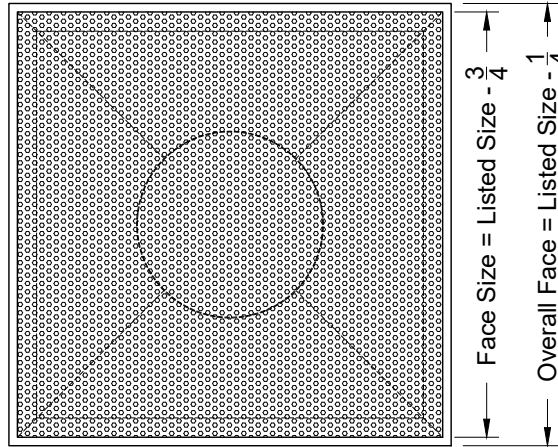
Model: 7500-9

Perforated Hinged Face with Face Mounted Pattern Controller - Bolt Slot/Donn Finline

**7500-9 - Bolt Slot**

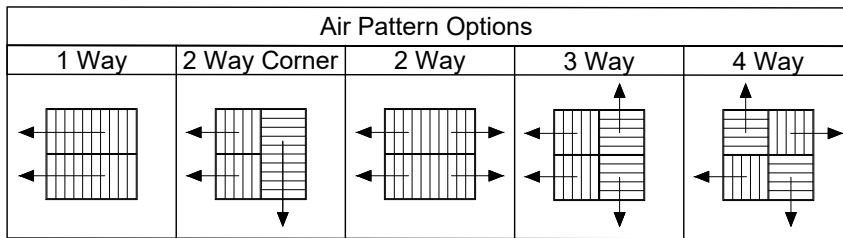


Side View



Face View

|             |
|-------------|
| Listed Size |
| Nominal     |
| Face        |
| 24 x 24     |
| 12 x 12     |



| 1. Available Finishes   | 2. Available Accessories  | 3. Available Options | 4. Construction Details  |
|---|---|----------------------|--|
| Standard Finish:<br>01 White<br>Finish<br>02 Satin Silver<br>03 Black<br>22 BBP - Black<br>Backpan - White Face<br>Optional Finish<br>28 Custom Color | BDS - Butterfly Damper<br>RDS - Steel Radial Shutter Damper<br>G3 - Equalizing Grid (Round)<br>EQ - Earthquake Straps | DF - Drop Face       | <ul style="list-style-type: none"> <li>Steel Construction (Standard)</li> <li>Sizes Available only as listed</li> <li>Neck sizes available:<br/>6, 8, 10, 12, 14 &amp; 16</li> <li>Face is Hinged</li> </ul> |

All Dimensions  $\pm 1/16"$