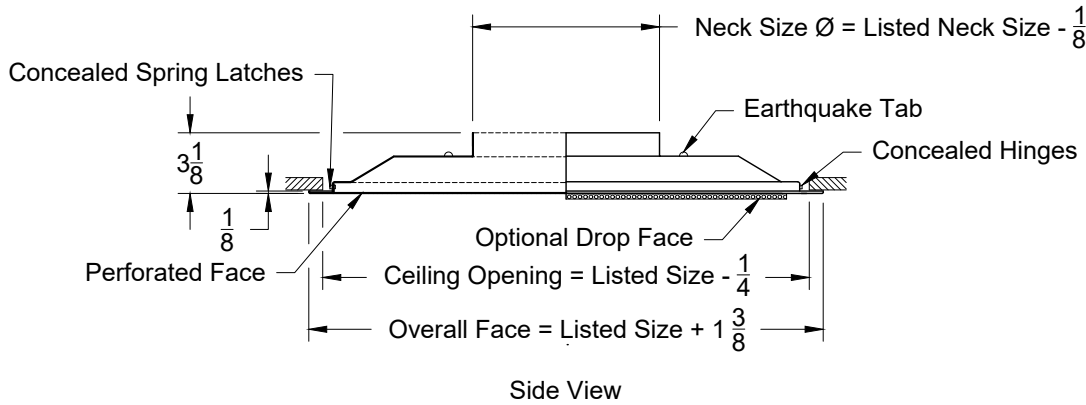


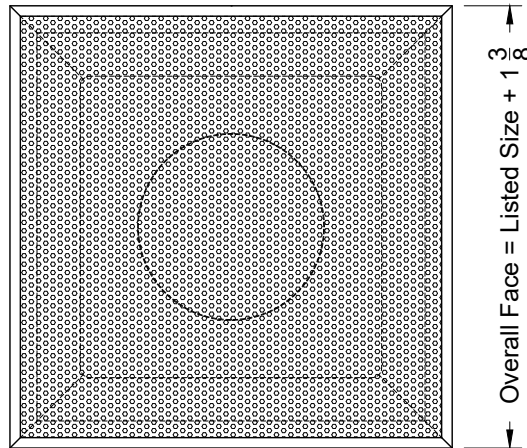
Model: 7500-1

Perforated Hinged Face - Flush Surface Mount

### 7500R-1 - Flush Surface Mount



Side View



Face View

Listed Size
Nominal
Face
24 x 24
12 x 12

Overall Face = Listed Size + 1 3/8

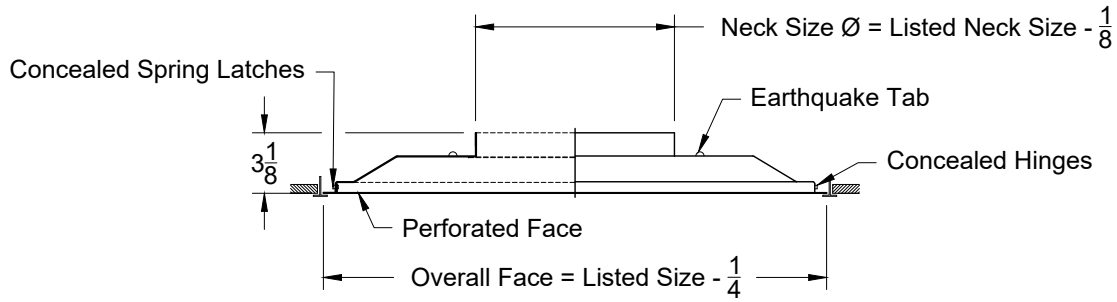
1. Available Finishes	2. Available Accessories	3. Available Options	4. Construction Details
Standard Finish: 01 White Finish 02 Satin Silver 03 Black 22 BBP - Black Backpan - White Face Optional Finish 28 Custom Color	BDS - Butterfly Damper RDS - Steel Radial Shutter Damper TBPF - T-Bar Plaster Frame FGBP - Fiberglass Backpan G3 - Equalizing Grid (Round)	Beaded Inlet Collar  AF - Aluminum Face DF - Drop Face	<ul style="list-style-type: none"> <li>Steel Construction (Standard)</li> <li>Sizes Available only as listed</li> <li>Neck sizes available: 6, 8, 10, 12, 14 &amp; 16</li> <li>Face is Hinged</li> </ul>

All Dimensions ±1/16"

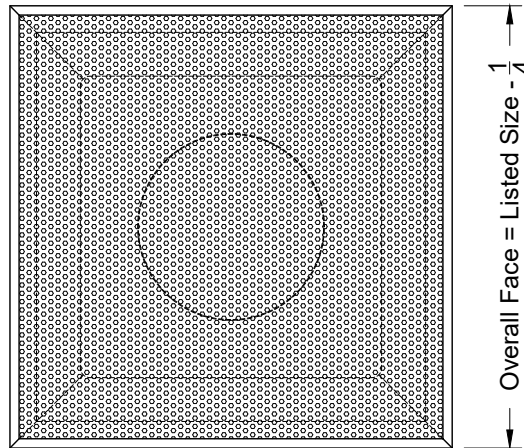
Model: 7500R-6

Perforated Hinged Face - Lay In T-Bar

### 7500R-6 - Lay in T-Bar



Side View



Face View

Listed Size
Nominal
Face
24 x 24
12 x 12

Overall Face = Listed Size - 1/4

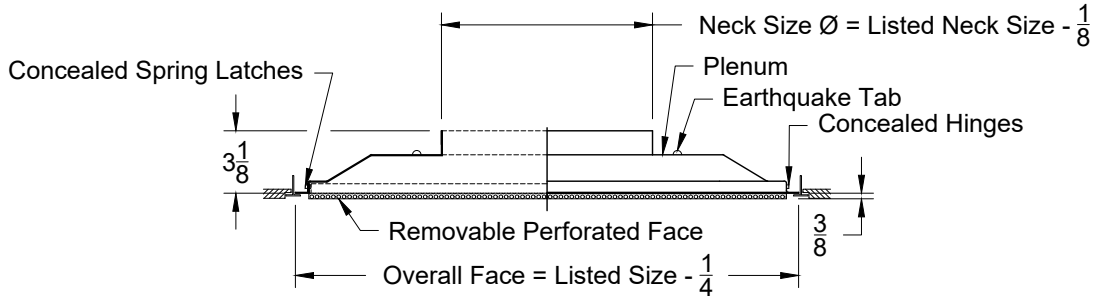
1. Available Finishes	2. Available Accessories	3. Available Options	4. Construction Details
Standard Finish: 01 White Finish 02 Satin Silver 03 Black 22 BBP - Black Backpan - White Face Optional Finish 28 Custom Color	BDS - Butterfly Damper RDS - Steel Radial Shutter Damper TBPF - T-Bar Plaster Frame G3 - Equalizing Grid (Round) EQ - Earthquake Straps	Beaded Inlet Collar  AF - Aluminum Face AL - Aluminum Face and Backpan	<ul style="list-style-type: none"> <li>Steel Construction (Standard)</li> <li>Sizes Available only as listed</li> <li>Neck sizes available: 6, 8, 10, 12, 14 &amp; 16</li> <li>Face is Hinged</li> </ul>

All Dimensions ±1/16"

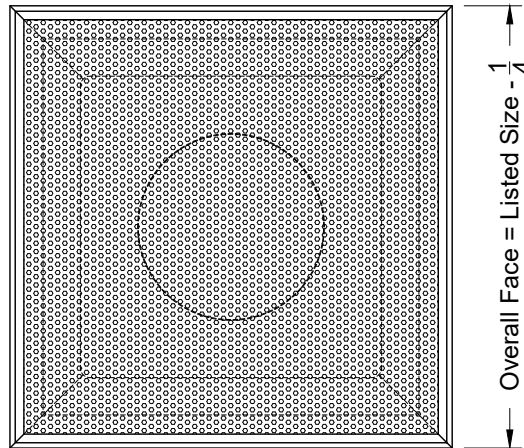
Model: 7500r-8

Perforated Hinged Face - Tegular T-Bar

### 7500R-8 - Tegular T-Bar



Side View



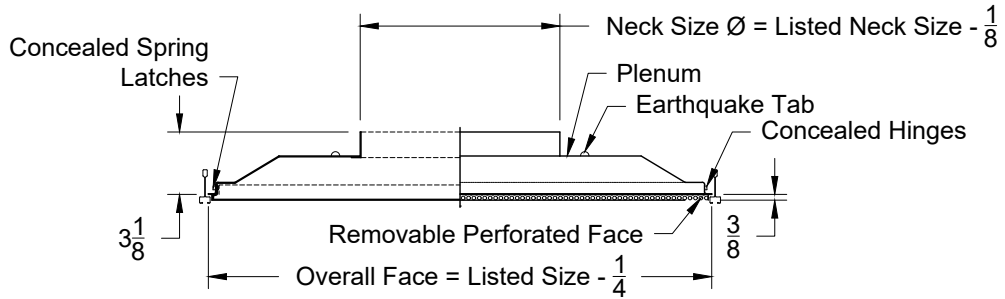
Face View

Listed Size
Nominal Face
24 x 24
12 x 12

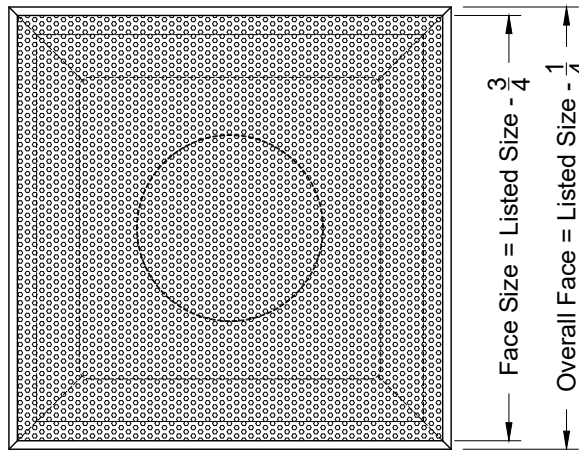
1. Available Finishes	2. Available Accessories	3. Available Options	4. Construction Details
Standard Finish: 01 White Finish 02 Satin Silver 03 Black 22 BBP - Black Backpan - White Face Optional Finish 28 Custom Color	BDS - Butterfly Damper RDS - Steel Radial Shutter Damper TBPF - T-Bar Plaster Frame G3 - Equalizing Grid (Round) FGBP - Fiberglass Backpan	Beaded Inlet Collar  AF - Aluminum Face AL - Aluminum Face and Backpan	<ul style="list-style-type: none"> <li>Steel Construction (Standard)</li> <li>Sizes Available only as listed</li> <li>Neck sizes available: 6, 8, 10, 12, 14 &amp; 16</li> <li>Face is Hinged</li> </ul>
All Dimensions $\pm 1/16"$			

Model: 7500R-9 Perforated Hinged Face - Bolt Slot/Donn Finline

### 7500R-9 - Bolt Slot



Side View



Face View

Listed Size
Nominal
Face
24 x 24
12 x 12

1. Available Finishes	2. Available Accessories	3. Available Options	4. Construction Details
Standard Finish: 01 White Finish 02 Satin Silver 03 Black 22 BBP - Black Backpan - White Face Optional Finish 28 Custom Color	BDS - Butterfly Damper RDS - Steel Radial Shutter Damper TBPF - T-Bar Plaster Frame G3 - Equalizing Grid (Round) FGBP - Fiberglass Backpan EQ - Earthquake Straps	Beaded Inlet Collar	<ul style="list-style-type: none"> <li>● Steel Construction (Standard)</li> <li>● Sizes Available only as listed</li> <li>● Neck sizes available: 6, 8, 10, 12, 14 &amp; 16</li> <li>● Face is Hinged</li> </ul>

All Dimensions ±1/16"