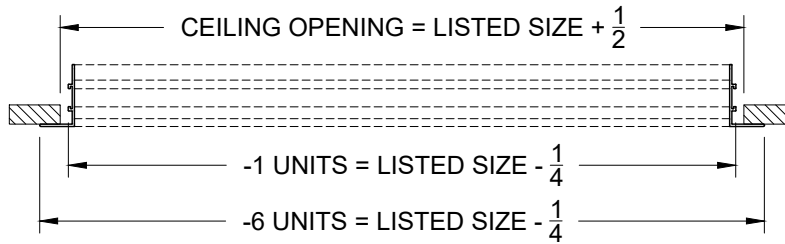
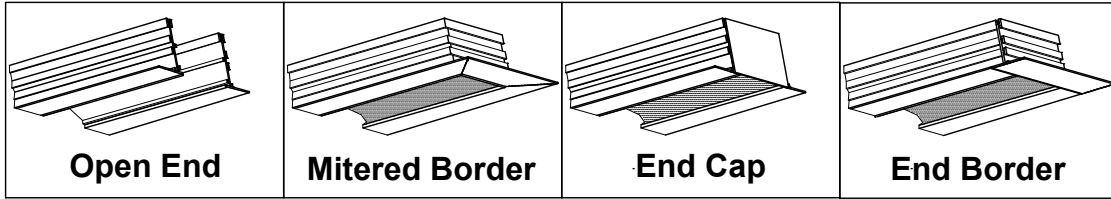
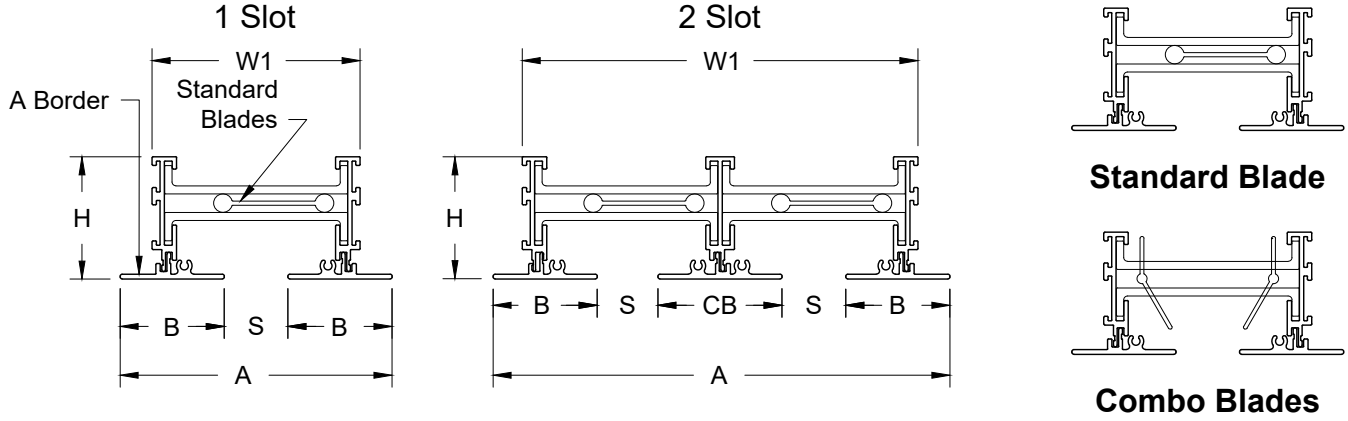


Model: AFL-AA Border A & Border A - Exposed Face

### AFL-AA - Exposed Face



Model	S Slot Width	Face Width		Neck Width		B Border Width	CB Border Width	H Height
		A 1 Slot	A 2 Slot	W1 1 Slot	W1 2 Slot			
AFL-10	1	4 1/4	7 3/16	3 1/4	6 3/16	1 5/8	1 15/16	2
AFL-15	1 1/2	4 3/4	8 3/16	3 3/4	7 3/16	1 5/8	1 15/16	2
AFL-20	2	5 1/4	9 3/16	4 1/4	8 3/16	1 5/8	1 15/16	2
AFL-25	2 1/2	6 3/4	12 3/16	5 3/4	11 3/16	2 1/8	2 15/16	2 1/2
AFL-30	3	7 1/4	13 3/16	6 1/4	12 3/16	2 1/8	2 15/16	2 1/2

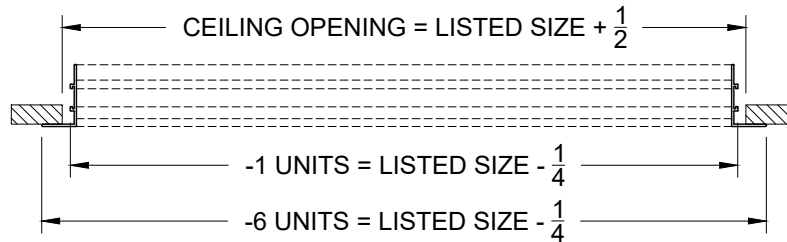
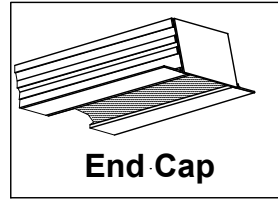
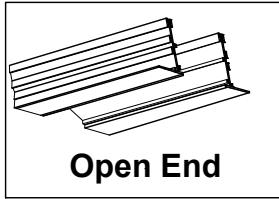
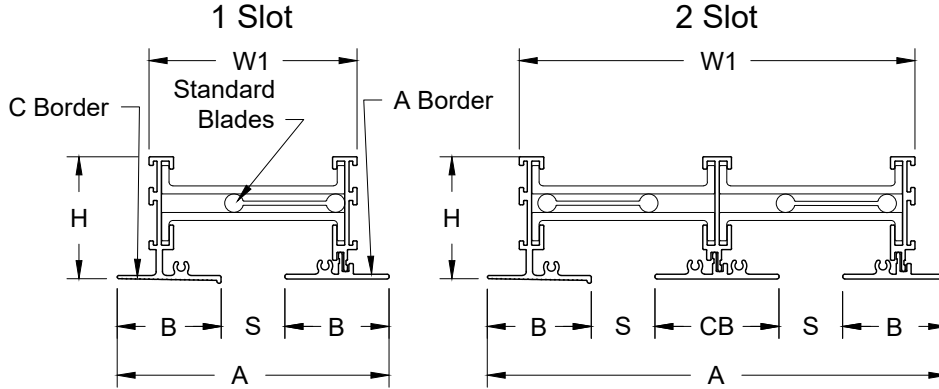
1. Available Finishes	2. Available Accessories	3. Available Options	4. Construction Details
<p>Standard Finish:</p> <ul style="list-style-type: none"> <li>02 - Satin Silver Face and Black Interior</li> <li>03 - Black Face and Black Interior</li> <li>20 - White Face and Black Interior</li> <li>28 - Custom Face Color and Black Interior</li> </ul> <p>Optional Finish:</p> <ul style="list-style-type: none"> <li>28 - Custom Face Color and Black Interior</li> </ul>		<ul style="list-style-type: none"> <li>1EC - (1) End Cap</li> <li>2EC - (2) End Caps</li> <li>1EB - (1) End Border</li> <li>2EB - (2) End Borders</li> <li>OO - Open / Open</li> <li>MM - Mitered / Mitered</li> <li>MO - Mitered / Open</li> </ul>	<ul style="list-style-type: none"> <li>• Material Extruded Aluminum</li> <li>• C - Combo Pattern Controller</li> <li>• S - Standard Pattern Controller</li> <li>• Standard Single Section size: (12" minimum - 72" maximum)</li> <li>• Lengths larger than 72" made in multiple sections</li> </ul>

All Dimensions ±1/16"

Model: AFL-AC

Border A & Borders C - Exposed Face & Concealed Tape and Spackle

### AFL-AC - Exposed Face & Concealed Tape and Spackle



Model	S Slot Width	Face Width		Neck Width		B Border Width	CB Border Width	H Height
		A 1 Slot	A 2 Slot	W1 1 Slot	W1 2 Slot			
AFL-10	1	4 1/4	7 3/16	3 1/4	6 3/16	1 5/8	1 15/16	2
AFL-15	1 1/2	4 3/4	8 3/16	3 3/4	7 3/16	1 5/8	1 15/16	2
AFL-20	2	5 1/4	9 3/16	4 1/4	8 3/16	1 5/8	1 15/16	2
AFL-25	2 1/2	6 3/4	12 3/16	5 3/4	11 3/16	2 1/8	2 15/16	2 1/2
AFL-30	3	7 1/4	13 3/16	6 1/4	12 3/16	2 1/8	2 15/16	2 1/2

#### 1. Available Finishes

Standard Finish:  
 02 - Satin Silver Face and Black Interior  
 03 - Black Face and Black Interior  
 20 - White Face and Black Interior  
 28 - Custom Face Color and Black Interior  
 Optional Finish:  
 28 - Custom Face Color and Black Interior

#### 2. Available Accessories

#### 3. Available Options

1EC - (1) End Cap  
 2EC - (2) End Caps  
 OO - Open / Open

#### 4. Construction Details

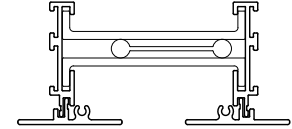
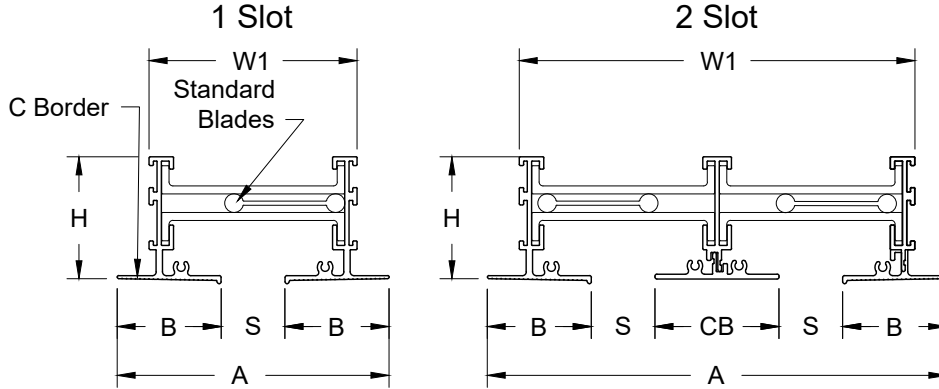
- Material: Extruded Aluminum
- C - Combo Pattern Controller
- S - Standard Pattern Controller
- Standard Single Section size: (12" minimum - 72" maximum)
- Lengths larger than 72" made in multiple sections

All Dimensions ±1/16"

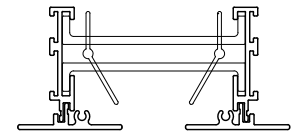
Model: AFL-CC

Border C & Border C - Concealed Tape and Spackle

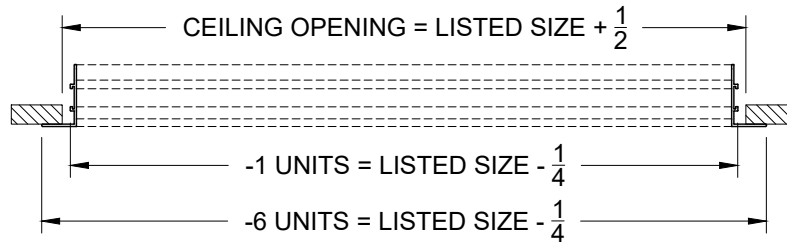
### AFL-CC - Concealed Tape and Spackle



**Standard Blade**



**Combo Blades**



Model	S Slot Width	Face Width		Neck Width		B Border Width	CB Border Width	H Height
		A 1 Slot	A 2 Slot	W1 1 Slot	W1 2 Slot			
AFL-10	1	4 1/4	7 3/16	3 1/4	6 3/16	1 5/8	1 15/16	2
AFL-15	1 1/2	4 3/4	8 3/16	3 3/4	7 3/16	1 5/8	1 15/16	2
AFL-20	2	5 1/4	9 3/16	4 1/4	8 3/16	1 5/8	1 15/16	2
AFL-25	2 1/2	6 3/4	12 3/16	5 3/4	11 3/16	2 1/8	2 15/16	2 1/2
AFL-30	3	7 1/4	13 3/16	6 1/4	12 3/16	2 1/8	2 15/16	2 1/2

**1. Available Finishes**

Standard Finish:  
 02 - Satin Silver Face and Black Interior  
 03 - Black Face and Black Interior  
 20 - White Face and Black Interior  
 28 - Custom Face Color and Black Interior  
 Optional Finish:  
 28 - Custom Face Color and Black Interior

**2. Available Accessories**

**3. Available Options**

1EC - (1) End Cap  
 2EC - (2) End Caps  
 OO - Open / Open  
 MM - Mitered / Mitered  
 MO - Mitered / Open

**4. Construction Details**

- Material: Extruded Aluminum
- C - Combo Pattern Controller
- S - Standard Pattern Controller
- Standard Single Section size: (12" minimum - 72" maximum)
- Lengths larger than 72" made in multiple sections

All Dimensions ±1/16"