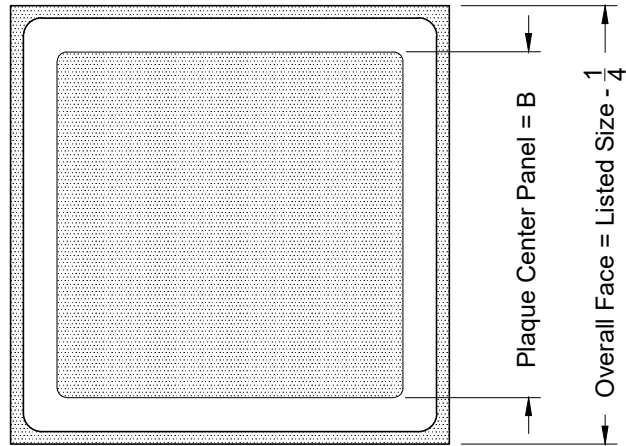
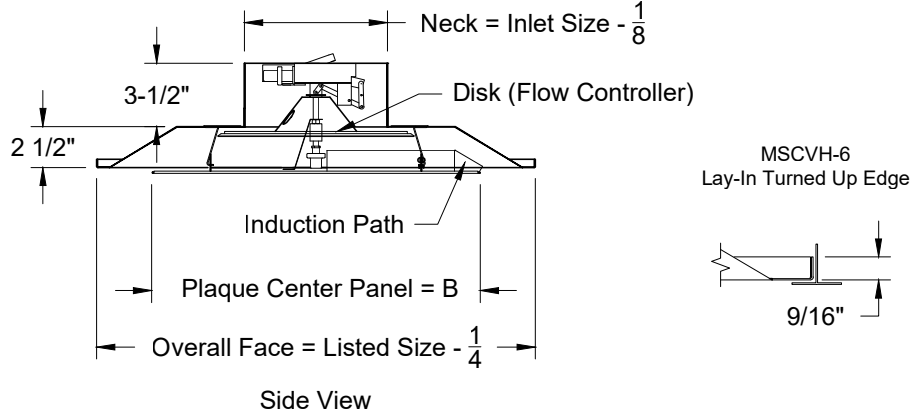


Model: MSCVH-6 Plaque Diffuser with Heating and Cooling Control - T-Bar Lay-In

MSCVH-6 - T-Bar Lay-In



Listed Size Nominal Face	Plaque Center Panel B	Available Round Inlets
12 x 12	9 x 9	6
24 x 24	18 x 18	8
		10
		12

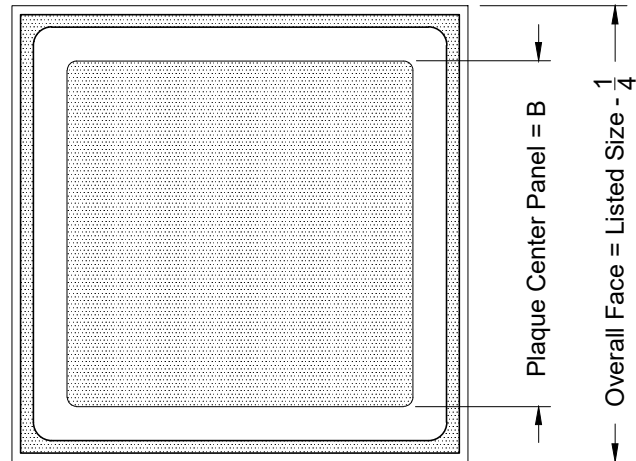
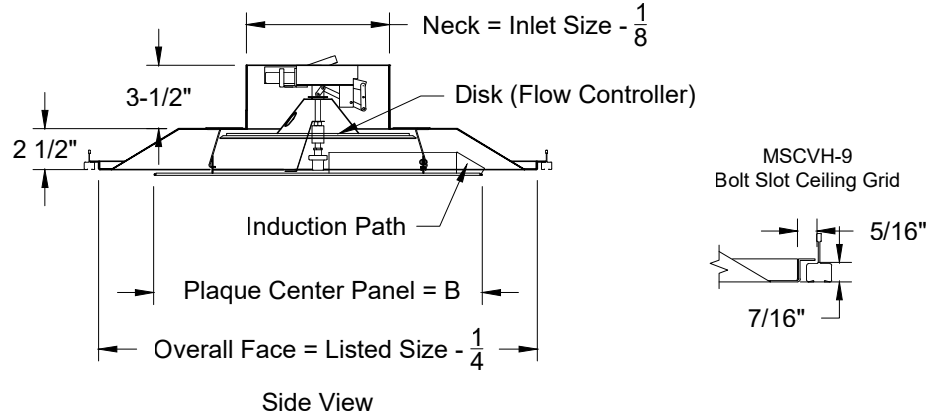
1. Available Finishes	2. Available Accessories	3. Available Options	4. Construction Details
Standard Finish: 01 White Optional Finish 03 Black	BPRA - By-Pass Relief Damper TBPF - T-Bar Plaster Frame	AL - Aluminum Construction	<ul style="list-style-type: none"> Steel Construction (Standard) Sizes Available only as listed

All Dimensions ±1/16"

Model: MSCVH-9

Plaque Diffuser with Heating and Cooling Control - Bolt Slot / Don Finline Ceiling Grid

MSCVH-9 - Bolt Slot / Don Finline Ceiling Grid



Listed Size Nominal Face	Plaque Center Panel B	Available Round Inlets
12 x 12	9 x 9	6
24 x 24	18 x 18	8
		10
		12

1. Available Finishes

Standard Finish:
01 White
Optional Finish
03 Black

2. Available Accessories

BPRA - By-Pass Relief Damper
TBPF - T-Bar Plaster Frame

3. Available Options

AL - Aluminum Construction

4. Construction Details

- Steel Construction (Standard)
- Sizes Available only as listed

All Dimensions $\pm 1/16"$