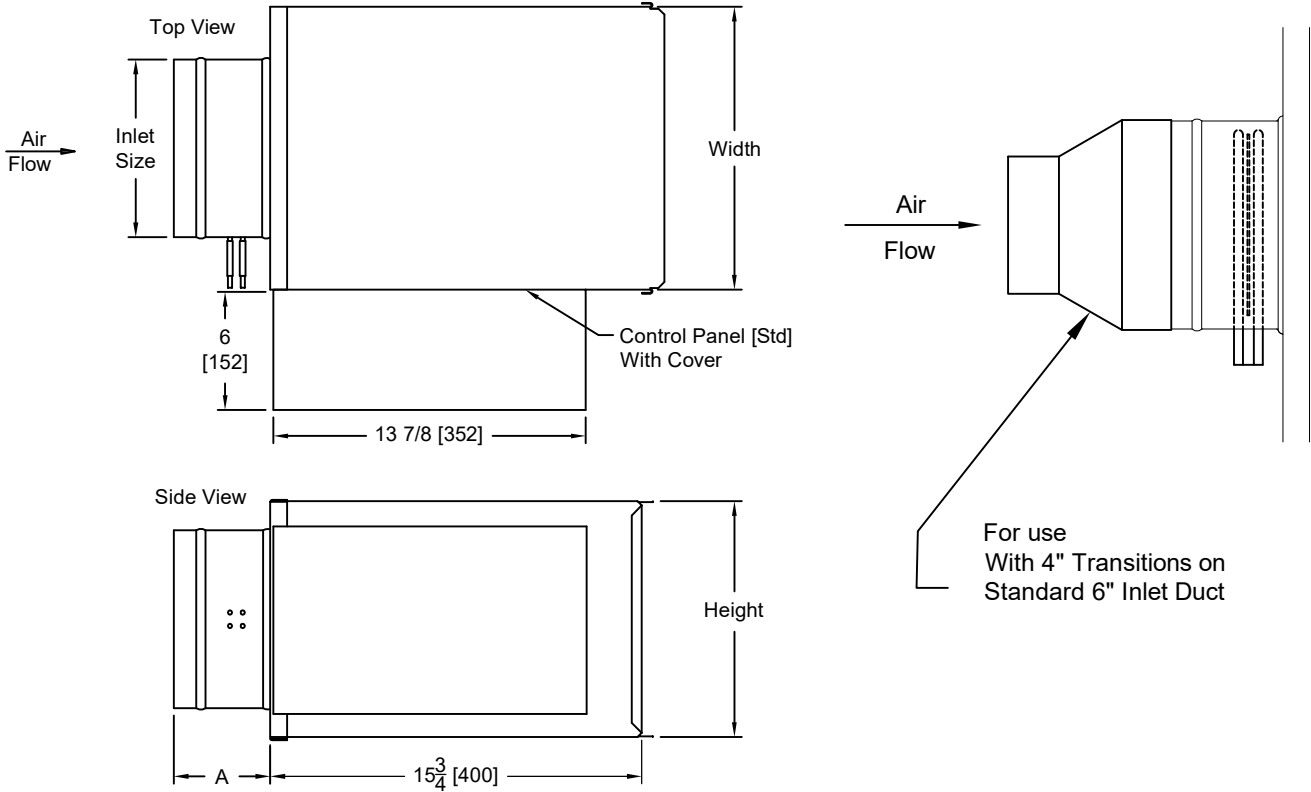


METALLAIRE™

Submission: TH500-001



Single Duct Air Terminal Unit



Unit Size	Inlet Size		A		Width		Height		Unit wt.	
	in.	mm.	in.	mm.	in.	mm.	in.	mm.	lb.	kg.
4	3 7/8	99	10	254	12	305	8	203	12	5
5	4 7/8	124	5	127	12	305	8	203	12	5
6	5 7/8	149	5	127	12	305	8	203	12	5
7	6 7/8	175	5	127	12	305	10	254	15	7
8	7 7/8	200	5	127	12	305	10	254	15	7
9	8 7/8	226	5	127	14	356	12 1/2	318	18	8
10	9 7/8	251	5	127	14	356	12 1/2	318	18	8
12	11 7/8	302	5	127	16	406	15	381	22	10
14	13 7/8	353	5	127	20	508	17 1/2	445	24	11
16	15 7/8	403	5	127	24	610	18	457	29	13
20	19 7/8 X 15 7/8	505 X 403	6	152	30	762	20	508	47	21
24	23 7/8 X 15 7/8	607 X 403	6	152	38	965	20	508	58	26

The standard location for control panel is Right Hand on Single Duct Air Terminal Unit. Looking in the direction of airflow, the control panel is on the right.

The control panel will overhang the top and bottom of Units 04 - 06 1" [25.4 mm] Control Panel Mounting Surface width by height is 13⁷/₈" x 9³/₄"

Standard Construction

- | | | |
|---|--|---|
| <ul style="list-style-type: none"> • 1/2" Dual Density, Coated Fiberglass • All Insulations Meet NFPA 90A And UL 181 • All Fiberglass Insulations Have Coated Edges To Prevent Fiber Migration | <ul style="list-style-type: none"> • Units Are Constructed With 22 Gauge Casing & Inlet Duct • 18 Gauge Equivalent Damper Assembly With Integral Blade Seal • Control Panel With Dust Cover | <ul style="list-style-type: none"> • Slip & Drive Discharge Connection • Inlet Airflow Sensor |
|---|--|---|