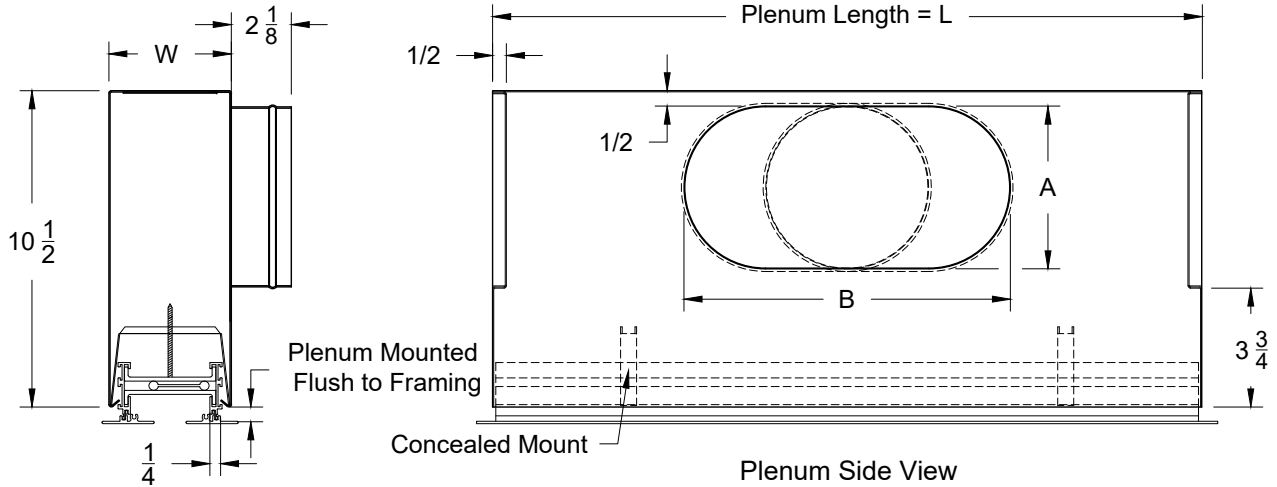


Model: UP-AFLC-10

Linear Diffuser Plenum with Concealed Mounting - 1" Slot - Non Insulated

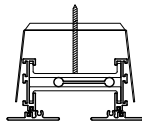
UP-AFLC-10 - 1" Slot - Non Insulated



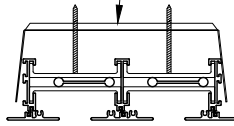
Plenum (Installed) End View

Concealed Mount

Plenum Side View



1 Slot



2 Slots

Models	Slot Width	Number of Slots	W (Width)
UP-AFLC-10	1	1	4
UP-AFLC-10	1	2	7

Inlet Chart			
Size	Type	A	B
6	Round	5 7/8	-
7	Oval	5 7/8	7 1/4
8	Oval	5 7/8	8 3/8
9	Oval	5 7/8	10
10	Oval	5 7/8	11 9/16
12	Oval	5 7/8	14 13/16
14	Oval	5 7/8	17 13/16

Length
L
24
36
48
60
72

L=Listed Size								
Model	Frame Type	2-EB	1-EB	OO	1-EC	2-EC	MM	MO
UP-AFLC-10	-1	- 1/16	- 1/16	- 1/16	- 1/16	-1/8	- 1/16	- 1/16
UP-AFLC-10	-6	- 2 1/4	-1 1/8	- 1/16	- 1/16	-1/8	-1 1/8	-5/8

1. Available Finishes

2. Available Accessories

3. Available Options

4. Construction Details

FODR - Face Operated Damper Rod
ID - Inlet Damper
LQ - Locking Quadrant Damper
ROD - Remote Operated Damper

MRI - MRI Construction
1EC - (1) End Cap
2EC - (2) End Caps
OO - Open / Open

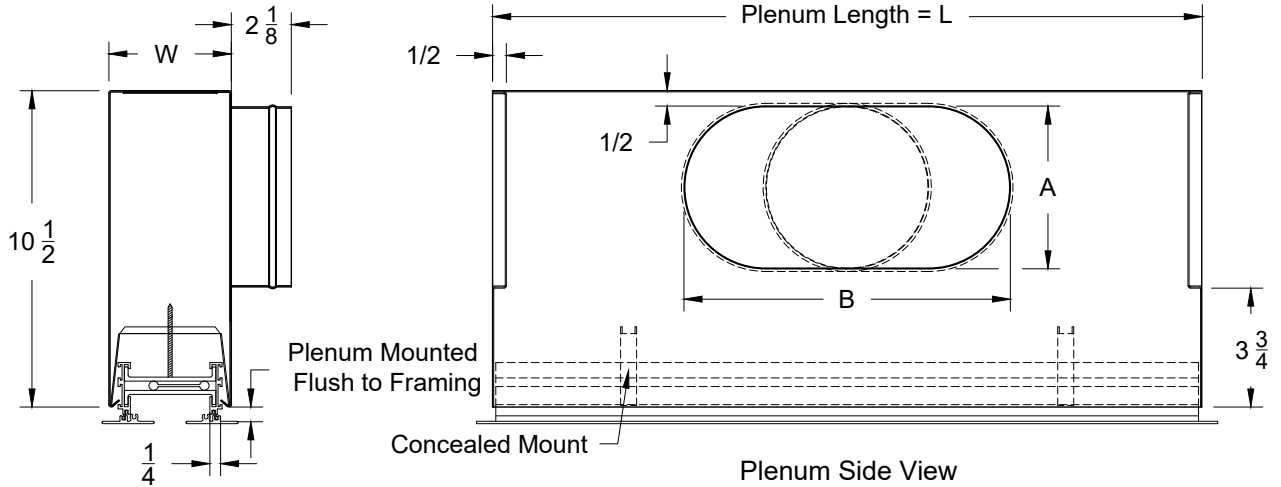
- Standard Lengths: 24, 36, 48, 60, 72
- Custom Length available for extra charge 12" minimum – 72" maximum
- NI - No Inlet

All Dimensions ±1/16"

Model: UP-AFLC-15

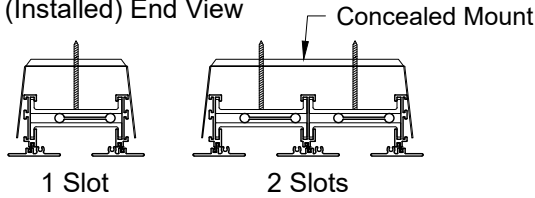
Linear Diffuser Plenum with Concealed Mounting - 1 1/2" Slot - Non Insulated

UP-AFLC-15 - 1 1/2" Slot - Non Insulated



Plenum (Installed) End View

Plenum Side View



Models	Slot Width	Number of Slots	W (Width)
UP-AFLC-15	1 1/2	1	4 1/2
UP-AFLC-15	1 1/2	2	8

Inlet Chart			
Size	Type	A	B
6	Round	5 7/8	-
7	Oval	5 7/8	7 1/4
8	Oval	5 7/8	8 3/8
9	Oval	5 7/8	10
10	Oval	5 7/8	11 9/16
12	Oval	5 7/8	14 13/16
14	Oval	5 7/8	17 13/16

Length
L
24
36
48
60
72

L=Listed Size								
Model	Frame Type	2-EB	1-EB	OO	1-EC	2-EC	MM	MO
UP-AFLC-15	-1	- 1/16	- 1/16	- 1/16	- 1/16	-1/8	- 1/16	- 1/16
UP-AFLC-15	-6	- 2 1/4	-1 1/8	- 1/16	- 1/16	-1/8	-1 1/8	-5/8

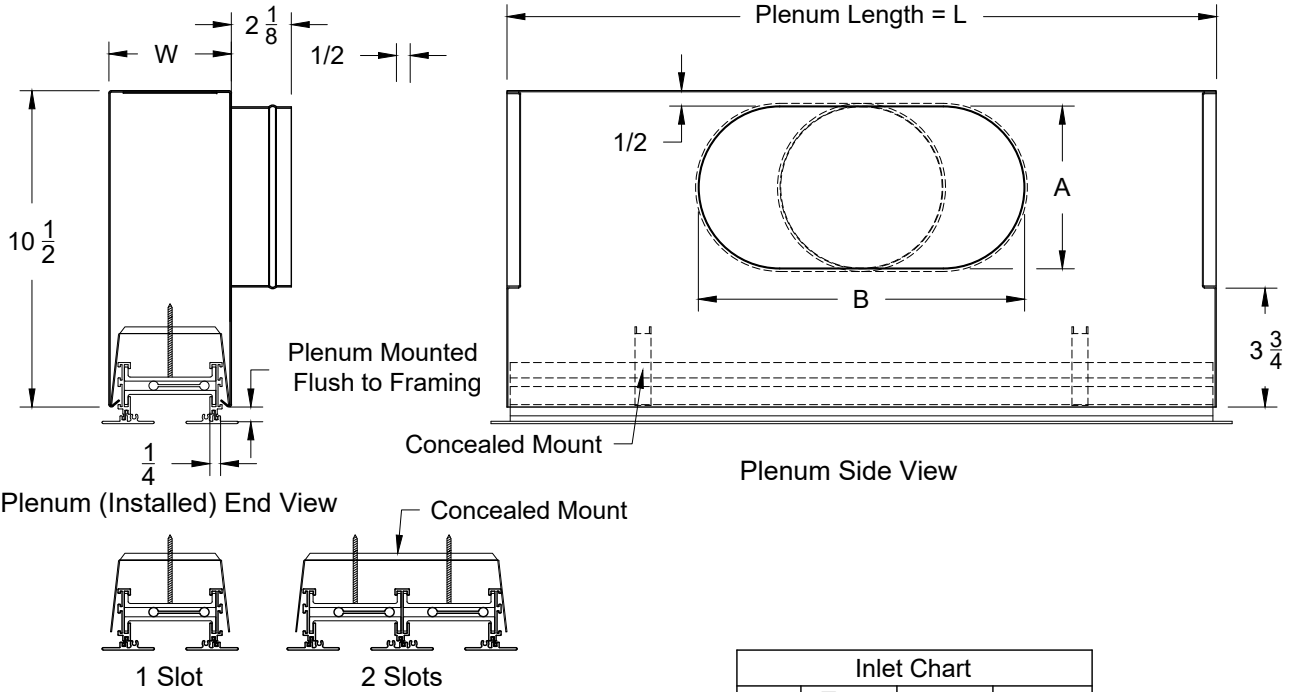
1. Available Finishes	2. Available Accessories	3. Available Options	4. Construction Details
	FODR - Face Operated Damper Rod ID - Inlet Damper LQ - Locking Quadrant Damper ROD - Remote Operated Damper	MRI - MRI Construction 1EC - (1) End Cap 2EC - (2) End Caps OO - Open / Open	<ul style="list-style-type: none"> Standard Lengths: 24, 36, 48, 60, 72 Custom Length available for extra charge 12" minimum – 72" maximum NI - No Inlet

All Dimensions ±1/16"

Model: UP-AFLC-20

Linear Diffuser Plenum with Concealed Mounting - 2" Slot - Non Insulated

UP-AFLC-20 - 2" Slot - Non Insulated



Models	Slot Width	Number of Slots	W (Width)
UP-AFLC-20	2	1	5
UP-AFLC-20	2	2	9

Inlet Chart			
Size	Type	A	B
6	Round	5 7/8	-
7	Oval	5 7/8	7 1/4
8	Oval	5 7/8	8 3/8
9	Oval	5 7/8	10
10	Oval	5 7/8	11 9/16
12	Oval	5 7/8	14 13/16
14	Oval	5 7/8	17 13/16

Length
L
24
36
48
60
72

L=Listed Size								
Model	Frame Type	2-EB	1-EB	OO	1-EC	2-EC	MM	MO
UP-AFLC-20	-1	- 1/16	- 1/16	- 1/16	- 1/16	-1/8	- 1/16	- 1/16
UP-AFLC-20	-6	- 2 1/4	-1 1/8	- 1/16	- 1/16	-1/8	-1 1/8	-5/8

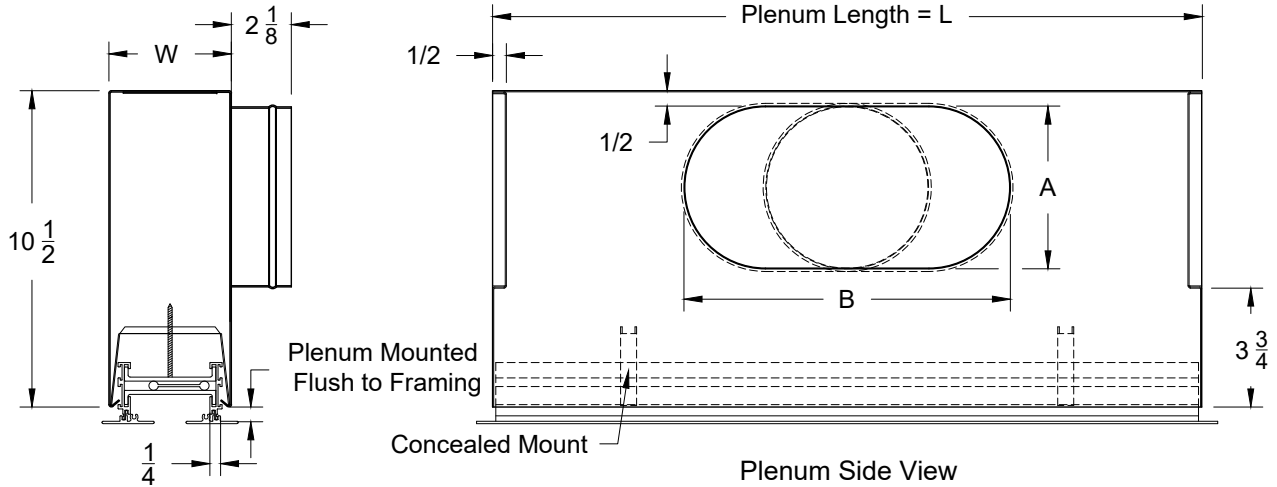
1. Available Finishes	2. Available Accessories	3. Available Options	4. Construction Details
	FODR - Face Operated Damper Rod ID - Inlet Damper LQ - Locking Quadrant Damper ROD - Remote Operated Damper	MRI - MRI Construction 1EC - (1) End Cap 2EC - (2) End Caps OO - Open / Open	<ul style="list-style-type: none"> Standard Lengths: 24, 36, 48, 60, 72 Custom Length available for extra charge 12" minimum – 72" maximum NI - No Inlet

All Dimensions ±1/16"

Model: UP-AFLC-25

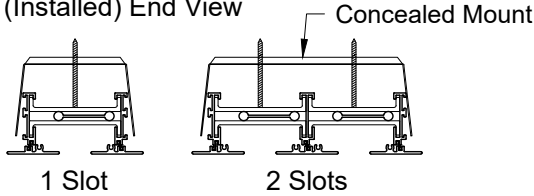
Linear Diffuser Plenum with Concealed Mounting - 2 1/2" Slot - Non Insulated

UP-AFLC-25 - 2 1/2" Slot - Non Insulated



Plenum (Installed) End View

Plenum Side View



Models	Slot Width	Number of Slots	W (Width)
UP-AFLC-25	2 1/2	1	6 1/2
UP-AFLC-25	2 1/2	2	12

Inlet Chart			
Size	Type	A	B
6	Round	5 7/8	-
7	Oval	5 7/8	7 1/4
8	Oval	5 7/8	8 3/8
9	Oval	5 7/8	10
10	Oval	5 7/8	11 9/16
12	Oval	5 7/8	14 13/16
14	Oval	5 7/8	17 13/16

Length
L
24
36
48
60
72

L=Listed Size								
Model	Frame Type	2-EB	1-EB	OO	1-EC	2-EC	MM	MO
UP-AFLC-25	-1	- 1/16	- 1/16	- 1/16	- 1/16	-1/8	- 1/16	- 1/16
UP-AFLC-25	-6	- 2 1/4	-1 1/8	- 1/16	- 1/16	-1/8	-1 1/8	-5/8

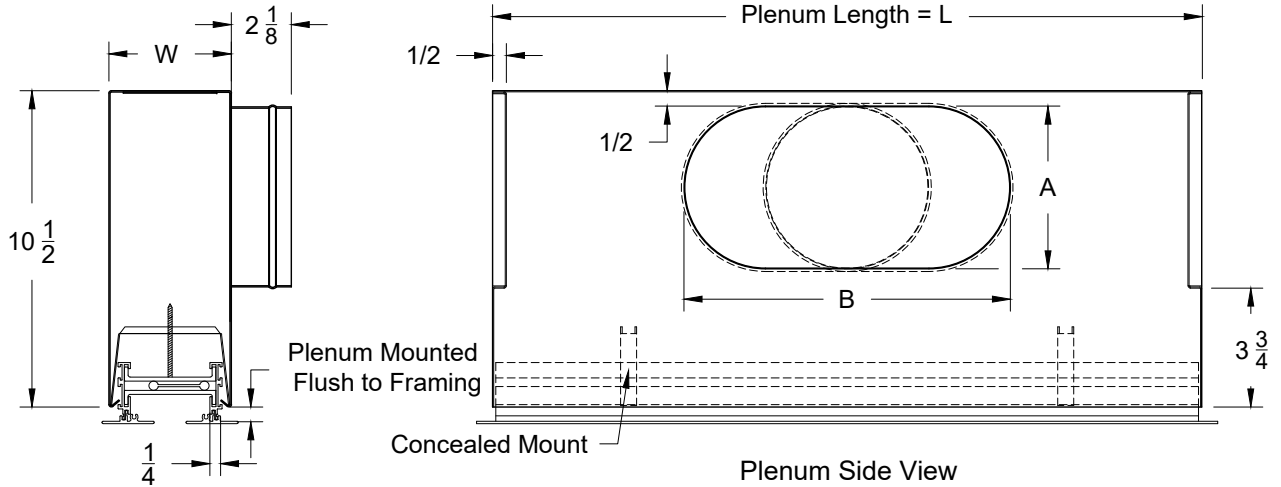
1. Available Finishes	2. Available Accessories	3. Available Options	4. Construction Details
	FODR - Face Operated Damper Rod ID - Inlet Damper LQ - Locking Quadrant Damper ROD - Remote Operated Damper	MRI - MRI Construction 1EC - (1) End Cap 2EC - (2) End Caps OO - Open / Open	<ul style="list-style-type: none"> Standard Lengths: 24, 36, 48, 60, 72 Custom Length available for extra charge 12" minimum – 72" maximum NI - No Inlet

All Dimensions ±1/16"

Model: UP-AFLC-30

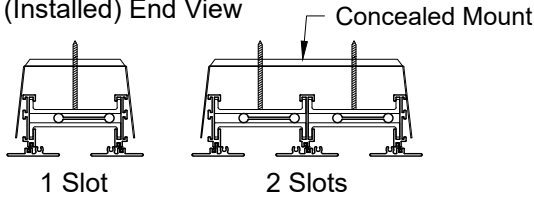
Linear Diffuser Plenum with Concealed Mounting - 3" Slot - Non Insulated

UP-AFLC-30 - 3" Slot - Non Insulated



Plenum (Installed) End View

Plenum Side View



Models	Slot Width	Number of Slots	W (Width)
UP-AFLC-30	3	1	7
UP-AFLC-30	3	2	13

Inlet Chart			
Size	Type	A	B
6	Round	5 7/8	-
7	Oval	5 7/8	7 1/4
8	Oval	5 7/8	8 3/8
9	Oval	5 7/8	10
10	Oval	5 7/8	11 9/16
12	Oval	5 7/8	14 13/16
14	Oval	5 7/8	17 13/16

Length
L
24
36
48
60
72

L=Listed Size								
Model	Frame Type	2-EB	1-EB	OO	1-EC	2-EC	MM	MO
UP-AFLC-30	-1	- 1/16	- 1/16	- 1/16	- 1/16	-1/8	- 1/16	- 1/16
UP-AFLC-30	-6	- 2 1/4	-1 1/8	- 1/16	- 1/16	-1/8	-1 1/8	-5/8

1. Available Finishes	2. Available Accessories	3. Available Options	4. Construction Details
	FODR - Face Operated Damper Rod ID - Inlet Damper LQ - Locking Quadrant Damper ROD - Remote Operated Damper	MRI - MRI Construction 1EC - (1) End Cap 2EC - (2) End Caps OO - Open / Open	<ul style="list-style-type: none"> Standard Lengths: 24, 36, 48, 60, 72 Custom Length available for extra charge 12" minimum – 72" maximum NI - No Inlet

All Dimensions ±1/16"