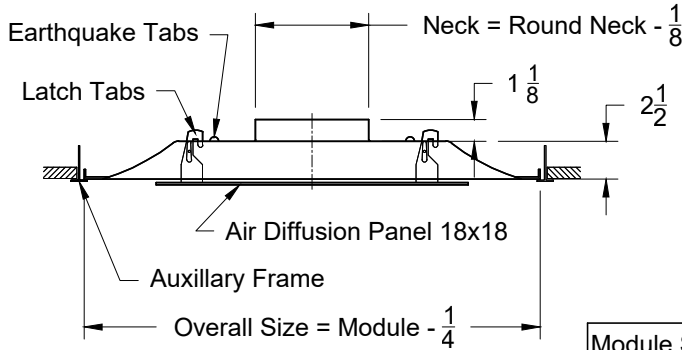


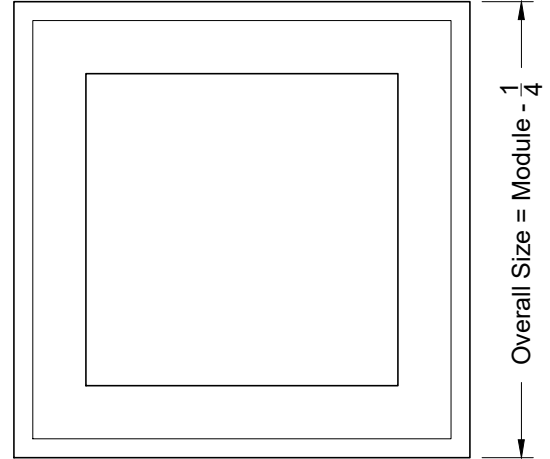
Model: 5750-1 Square Face Diffuser - Round Neck - Flush Surface Mount
 5750-6 Square Face Diffuser - Round Neck - T-Bar Lay-In

5750-1 - Flush Surface Mount



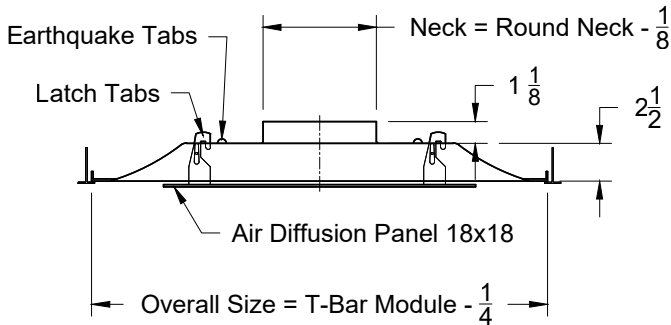
Module Size
24 x 24
12 x 12

Face View



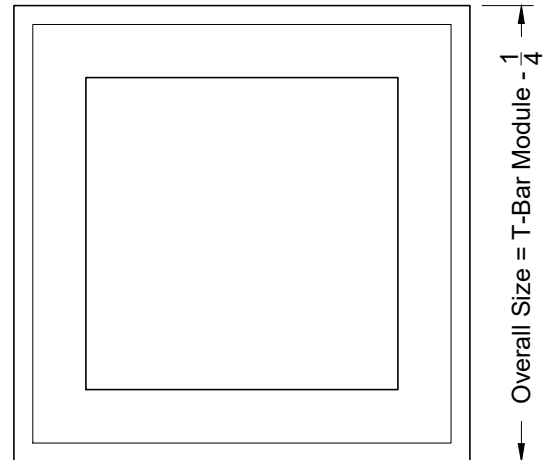
Note: For surface mount installations use of plaster frame is recommended

5750-6 - T-Bar Lay-In



Module Size
24 x 24
12 x 12

Face View

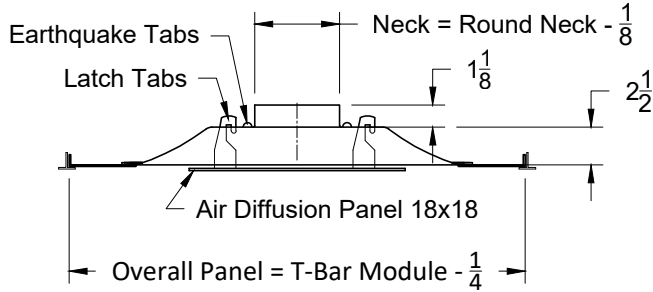


1. Available Finishes	2. Available Accessories	3. Available Options	4. Construction Details
Standard Finish: 01 White Finish 24 Mill Finish Optional Finish 02 Satin Silver 03 Black 28 Custom Color	BDS - Butterfly Damper RSD - Radial Shutter Damper G3 - Equalizing Grid BAF - Directional Baffles TBPF - T-Bar Plaster Frame EQS - Earthquake Straps	FGBP - Fiberglass Backpan	<ul style="list-style-type: none"> Available Sizes Only as Listed Available Neck Sizes as Listed: 6, 8, 10, 12, 14 and 15 Materials: Available in Steel, Aluminum and Aluminized Steel. Consult Software for Available Border Types.
All Dimensions ±1/16"			

Model: 5750-6P

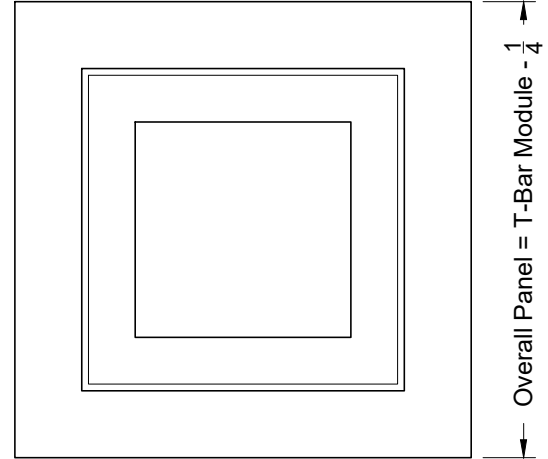
Square face - Round Neck - Lay in T-Bar Panel

5750-6P - Lay in T-Bar Panel



Listed Size Nominal	
Face	Panel
12 x 12	20 x 20
12 x 12	24 x 24
12 x 12	30 x 30
24 x 24	30 x 30

Face View



1. Available Finishes

Standard Finish:
 01 White
 Finish
 24 Mill Finish
 Optional Finish
 02 Satin Silver
 03 Black
 28 Custom Color

2. Available Accessories

BDS - Butterfly Damper
 RSD - Radial Shutter Damper
 G3 - Equalizing Grid
 BAF - Directional Baffles
 TBPF - T-Bar Plaster Frame
 EQS - Earthquake Straps

3. Available Options

FGBP - Fiberglass Backpan

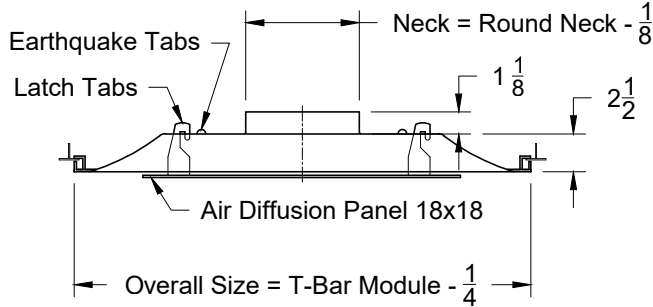
4. Construction Details

- Available Sizes Only as Listed
- Available Neck Sizes as Listed: 6, 8, 10, 12, 14 and 15
- Materials: Available in Steel, Aluminum and Aluminized Steel.
- Consult Software for Available Border Types.

All Dimensions $\pm 1/16"$

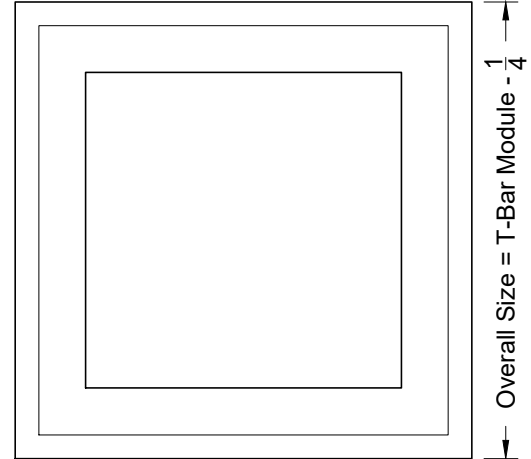
Model: 5750-7 Square Face - Round Neck - Concealed Spline Module
 5750-9 Square Face - Round Neck - Bolt Slot / Donn Finline Module

5750-7 - Concealed Spline Module

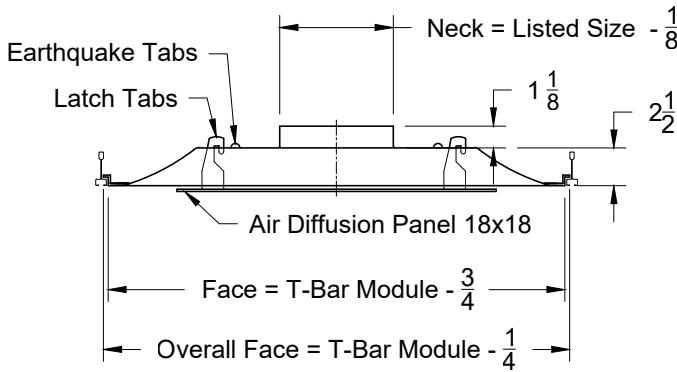


Module Size
24 x 24

Face View

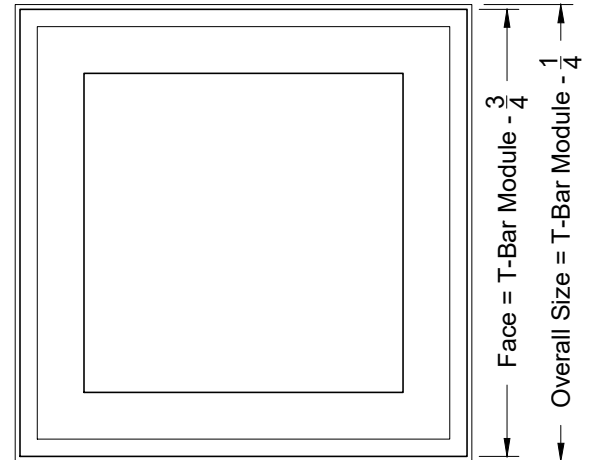


5750-9 Bolt Slot / Donn Finline Module



Module Size
24 x 24

Face View



1. Available Finishes	2. Available Accessories	3. Available Options	4. Construction Details
Standard Finish: 01 White Finish 24 Mill Finish Optional Finish 02 Satin Silver 03 Black 28 Custom Color	BDS - Butterfly Damper RSD - Radial Shutter Damper G3 - Equalizing Grid BAF - Directional Baffles TBPF - T-Bar Plaster Frame EQS - Earthquake Straps	FGBP - Fiberglass Backpan	<ul style="list-style-type: none"> • Available Sizes Only as Listed • Available Neck Sizes as Listed: 6, 8, 10, 12, 14 and 15 • Materials: Available in Steel, Aluminum and Aluminized Steel. • Consult Software for Available Border Types.
All Dimensions ±1/16"			