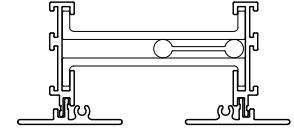
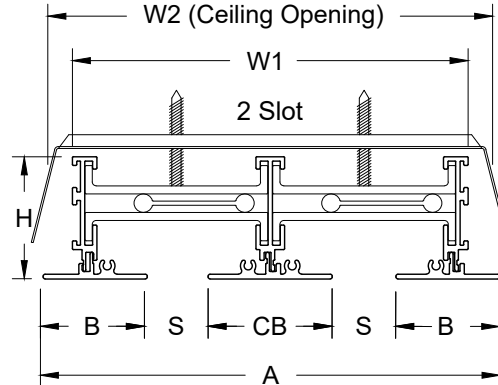
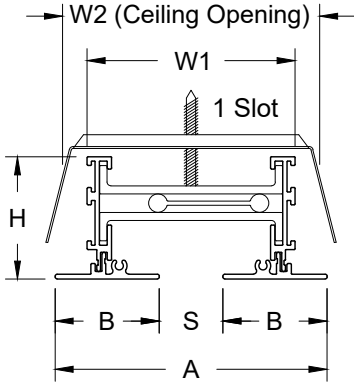
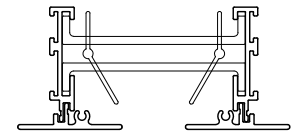


Model: AFLC-AA Concealed Mounting - Border A & Border A - Exposed Face

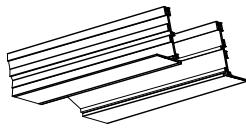
AFLC-AA - Exposed Face



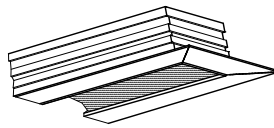
Standard Blade



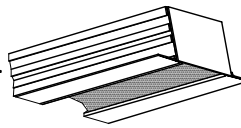
Combo Blades



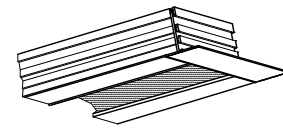
Open End



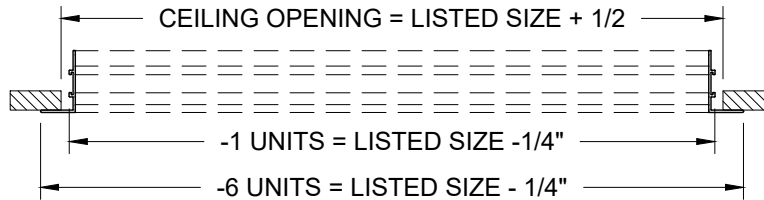
Mitered Border



End Cap



End Border



Model	Slot Width	Face Width		Neck Width				B	CB	H
		1 Slot	2 Slot	1 Slot	1 Slot	2 Slot	2 Slot			
AFLC-10	1	4 1/4	7 3/16	3 1/4	4	6 3/16	7	1 5/8	1 15/16	2
AFLC-15	1 1/2	4 3/4	8 3/16	3 3/4	4 1/2	7 3/16	8	1 5/8	1 15/16	2
AFLC-20	2	5 1/4	9 3/16	4 1/4	5	8 3/16	9	1 5/8	1 15/16	2
AFLC-25	2 1/2	6 3/4	12 3/16	5 3/4	6 1/2	11 3/16	12	2 1/8	2 15/16	2 1/2
AFLC-30	3	7 1/4	13 3/16	6 1/4	7	12 3/16	13	2 1/8	2 15/16	2 1/2

1. Available Finishes

Standard Finish:
 02 - Satin Silver Face and Black Interior
 03 - Black Face and Black Interior
 20 - White Face and Black Interior
 28 - Custom Face Color and Black Interior
 Optional Finish:
 28 - Custom Face Color and Black Interior

2. Available Accessories

3. Available Options

1EC - (1) End Cap
 2EC - (2) End Caps
 1EB - (1) End Border
 2EB - (2) End Borders
 OO - Open / Open
 MM - Mitered / Mitered
 MO - Mitered / Open

4. Construction Details

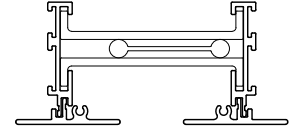
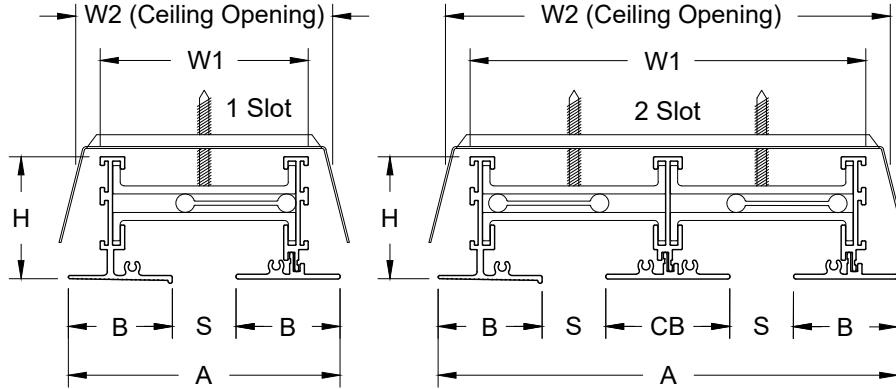
- Material: Extruded Aluminum
- C - Combo Pattern Controller
- S - Standard Pattern Controller
- Standard Single Section size: (12" minimum - 72" maximum)
- Lengths larger than 72" made in multiple sections

All Dimensions ±1/16"

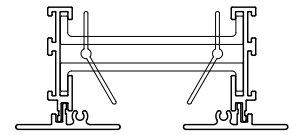
Model: AFLC-AC

Concealed Mounting - Border A & Borders C - Exposed Face & Concealed Tape and Spackle

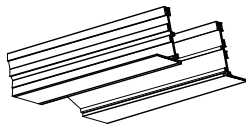
AFLC-AC - Exposed Face & Concealed Tape and Spackle



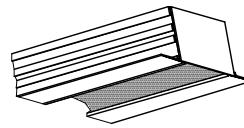
Standard Blade



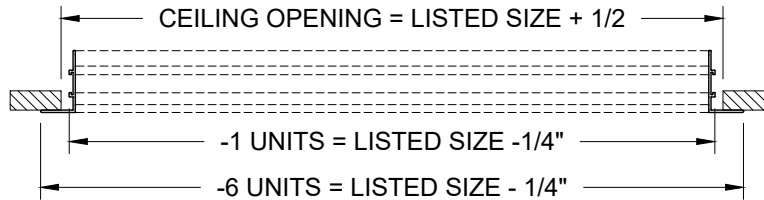
Combo Blades



Open End



End Cap



Model	S Slot Width	Face Width		Neck Width				B Border Width	CB Border Width	H Height
		1 Slot	2 Slot	1 Slot	1 Slot	2 Slot	2 Slot			
AFLC-10	1	4 1/4	7 3/16	3 1/4	4	6 3/16	7	1 5/8	1 15/16	2
AFLC-15	1 1/2	4 3/4	8 3/16	3 3/4	4 1/2	7 3/16	8	1 5/8	1 15/16	2
AFLC-20	2	5 1/4	9 3/16	4 1/4	5	8 3/16	9	1 5/8	1 15/16	2
AFLC-25	2 1/2	6 3/4	12 3/16	5 3/4	6 1/2	11 3/16	12	2 1/8	2 15/16	2 1/2
AFLC-30	3	7 1/4	13 3/16	6 1/4	7	12 3/16	13	2 1/8	2 15/16	2 1/2

1. Available Finishes

Standard Finish:
 02 - Satin Silver Face and Black Interior
 03 - Black Face and Black Interior
 20 - White Face and Black Interior
 28 - Custom Face Color and Black Interior
 Optional Finish:
 28 - Custom Face Color and Black Interior

2. Available Accessories

3. Available Options

1EC - (1) End Cap
 2EC - (2) End Caps
 OO - Open / Open

4. Construction Details

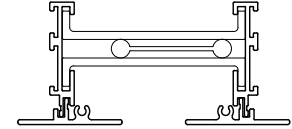
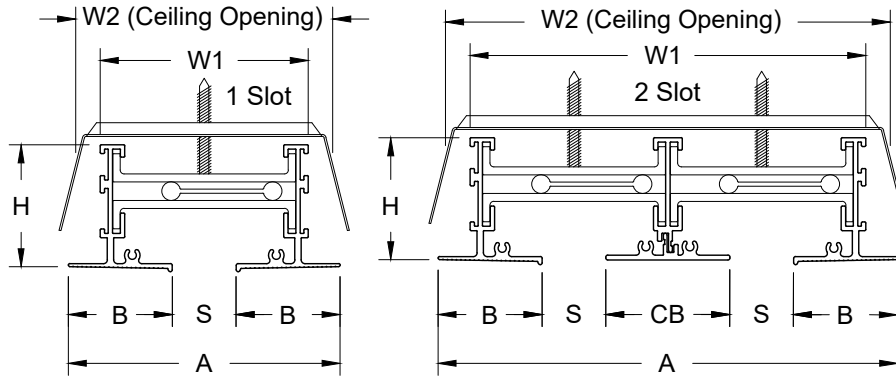
- Material: Extruded Aluminum
- C - Combo Pattern Controller
- S - Standard Pattern Controller
- Standard Single Section size: (12" minimum - 72" maximum)
- Lengths larger than 72" made in multiple sections

All Dimensions ±1/16"

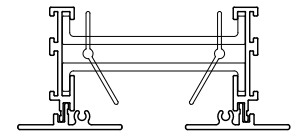
Model: AFLC-CC

Concealed Mounting - Border C & Border C - Concealed Tape and Spackle

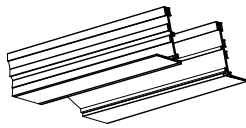
AFLC-CC - Concealed Tape and Spackle



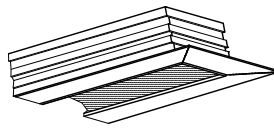
Standard Blade



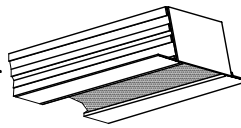
Combo Blades



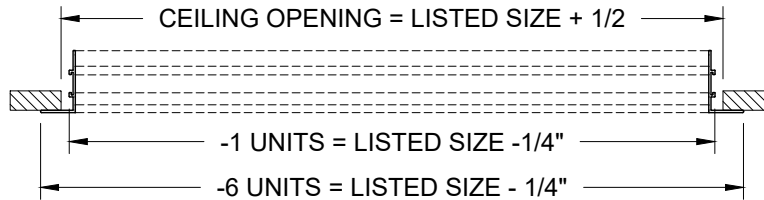
Open End



Mitered Border



End Cap



Model	S Slot Width	Face Width		Neck Width				B Border Width	CB Border Width	H Height
		A	A	W1	W2	W1	W2			
		1 Slot	2 Slot	1 Slot	1 Slot	2 Slot	2 Slot			
AFLC-10	1	4 1/4	7 3/16	3 1/4	4	6 3/16	7	1 5/8	1 15/16	2
AFLC-15	1 1/2	4 3/4	8 3/16	3 3/4	4 1/2	7 3/16	8	1 5/8	1 15/16	2
AFLC-20	2	5 1/4	9 3/16	4 1/4	5	8 3/16	9	1 5/8	1 15/16	2
AFLC-25	2 1/2	6 3/4	12 3/16	5 3/4	6 1/2	11 3/16	12	2 1/8	2 15/16	2 1/2
AFLC-30	3	7 1/4	13 3/16	6 1/4	7	12 3/16	13	2 1/8	2 15/16	2 1/2

1. Available Finishes

Standard Finish:
 02 - Satin Silver Face and Black Interior
 03 - Black Face and Black Interior
 20 - White Face and Black Interior
 28 - Custom Face Color and Black Interior
 Optional Finish:
 28 - Custom Face Color and Black Interior

2. Available Accessories

3. Available Options

1EC - (1) End Cap
 2EC - (2) End Caps
 OO - Open / Open
 MM - Mitered / Mitered
 MO - Mitered / Open

4. Construction Details

- Material: Extruded Aluminum
- C - Combo Pattern Controller
- S - Standard Pattern Controller
- Standard Single Section size: (12" minimum - 72" maximum)
- Lengths larger than 72" made in multiple sections

All Dimensions ±1/16"