

Project:  
 Tag:  
 Engineer:  
 Contractor:  
 Date:

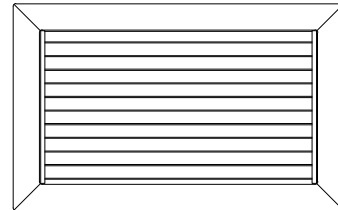
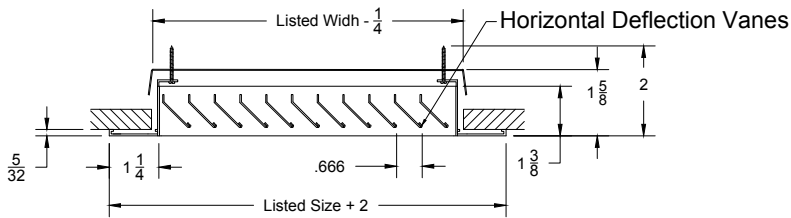
# METALAIRE™

Submittal: SRH-CM

## Return Grilles and Registers Steel - 45° Louvered Face

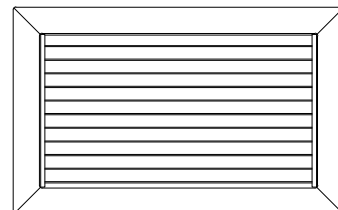
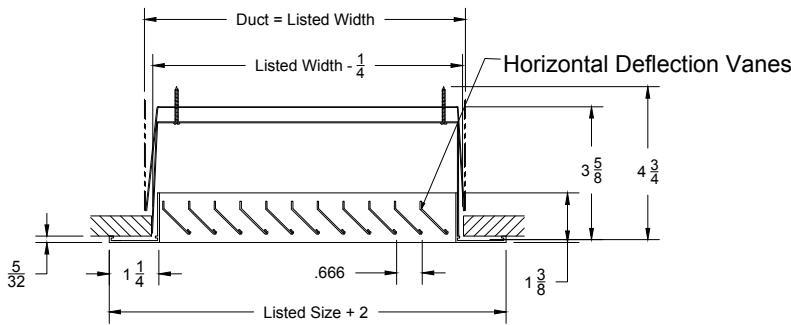
Models: **SRH-1-CM** Steel Return Grille - Concealed Mount

### Model: SRH-1 CM ( Steel Return Grille - Surface Mount )



Face View ( SRH-1 Model )

### Model: SRH-1 CM -OBD ( Steel Return Grille - Concealed Mounting )



Face View ( SRH-1 Model )

Notes:  (check if provided)

1. Available Finishes	2. Available Accessories	3. Available Options	4. Construction Details
<b>Standard Finish:</b> 01 White. <b>Optional Finish (additional Charge):</b> 02 Satin Silver 03 Black. 28 Custom Color / Setup Charge	OBD - Steel Opposed Blade	IS - Insect Screen.	