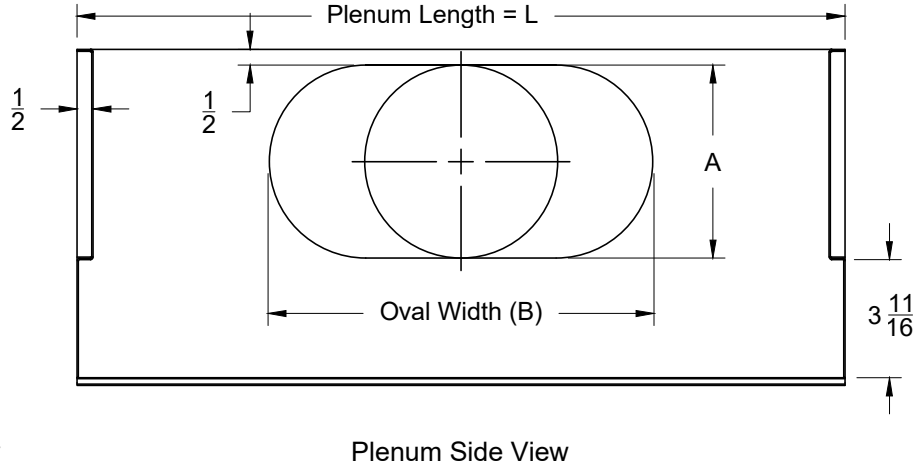
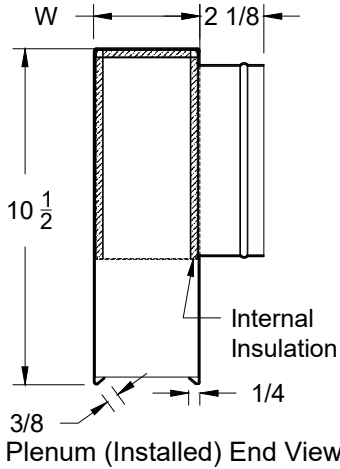


Model: UPI-6650

Universal Plenum Insulated for 1/2" Slot Linear Diffusers

UPI-6650 - Universal Plenum Insulated for 1/2" Slot Linear Diffusers



UPI-6650	20-6, 22-6	30-6, 32-6	40-7/42-7 40-8/42-8 40-9/42-9	12-1/11-1 10-6/12-6
Number of Slots	Dim W	Dim W	Dim W	Dim W
1	2 3/16	2 1/2	2 1/16	2 1/4
2	3 5/16	3 5/8	3 5/16	3 1/2
3	4 11/16	4 1/2	4 9/16	4 3/4
4	5 7/8	6 3/16	5 13/16	6
5	7 1/16	8 3/8	7 1/16	7 1/4
6	8 5/8	8 7/8	8 15/16	8 7/16
7	9 15/16	10 1/4	9 5/8	9 3/4
8	10 13/16	11 1/8	11 1/8	11

Size	Type	A	B
6	Round	5 7/8	
8	Oval	5 7/8	8 15/16
10	Oval	5 7/8	12 1/16
12	Oval	5 7/8	15 1/4
14	Oval	5 7/8	18 7/16

L = Listed Size ± Linear End Types							
Description	FRAME	Border Size	2 EB / MM	1 EB / MO	No Ends	2 EC	1 EC
T-Bar Lay-In	10-6, 12-6	1 - 1/8"	-2 1/2	-1 3/8	± 0	-13/16"	- 7/8"
Screw Mount **	11-1	Note: ** Not Recommended End Type For This Style					
Concealed Mount	12-1	1 - 1/8"	± 0	± 0	± 0	± 0	± 0
T-Bar Lay-In	22-6, 22-6	3/4"	-1 3/4	-1	± 0	-1/4	-1/8
T-Bar Lay-In	30-6, 32-6	1/2"	-1 1/4	-3/4	± 0	-1/4	-1/8
Concealed Spline, Drop Face, Bolt Slot	40-7, 40-8, 40-9	22/32"	-7/8	-9/16	± 0	-1/2	-3/8
Concealed Spline, Drop Face, Bolt Slot	42-7, 42-8, 42-9	22/32"	-7/8	-9/16	± 0	-1/2	-3/8
Mud Flange	50-1, 52-1	1 13/16	± 0	± 0	± 0	± 0	± 0
Sub Plaster Frames	22-73, 22-74, 22-75	3/4"	± 0	± 0	± 0	NA	NA

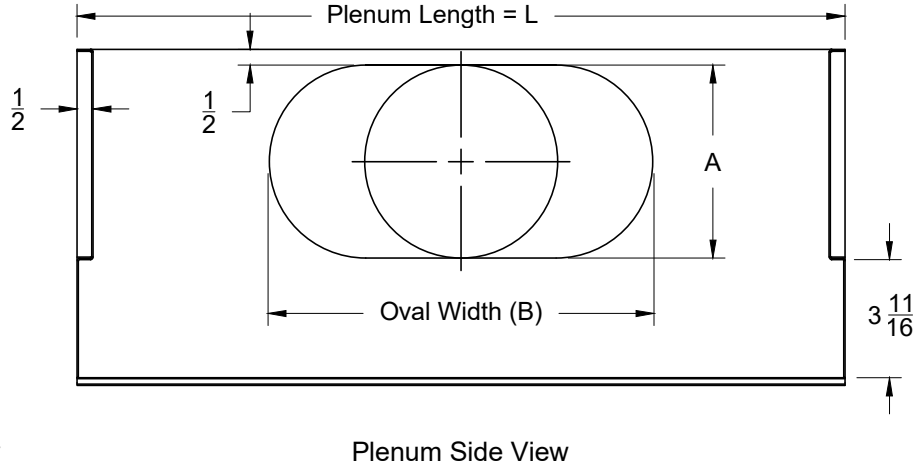
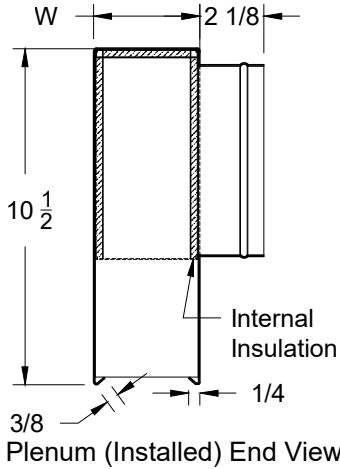
1. Available Finishes	2. Available Accessories	3. Available Options	4. Construction Details
	FODR - Face Operated Damper Rod ID - Inlet Damper LQ - Locking Quadrant Damper ROD - Remote Operated Damper	1EC - (1) End Cap 2EC - (2) End Caps 1EB - (1) End Border 2EB - (2) End Borders OO - Open / Open	<ul style="list-style-type: none"> Standard Lengths: 24, 36, 48, 60, 72 Custom Length available for extra charge 12" minimum – 72" maximum NI - No Inlet

All Dimensions ±1/16"

Model: UPI-6675

Universal Plenum Insulated for 3/4" Slot Linear Diffusers

UPI-6675 - Universal Plenum Insulated for 3/4" Slot Linear Diffusers



UPI-6675	20-6, 22-6	30-6, 32-6	40-7/42-7 40-8/42-8 40-9/42-9	12-1/11-1 10-6/12-6 50-1/52-1
Number of Slots	Dim W	Dim W	Dim W	Dim W
1	2 5/16	2 3/4	2 5/16	2 1/2
2	3 13/16	4 3/16	3 13/16	4
3	5 1/2	5 3/4	5 5/16	5 1/2
4	7 1/8	7 1/4	6 13/16	7
5	8 5/16	8 5/8	8 3/16	8 1/2
6	9 13/16	10 1/8	9 13/16	10 3/16
7	11 5/16	11 5/8	11 5/16	11 7/16
8	12 3/4	13 1/16	12 7/8	13

Size	Type	A	B
6	Round	5 7/8	
8	Oval	5 7/8	8 15/16
10	Oval	5 7/8	12 1/16
12	Oval	5 7/8	15 1/4
14	Oval	5 7/8	18 7/16

L = Listed Size ± Linear End Types							
Description	FRAME	Border Size	2 EB / MM	1 EB / MO	No Ends	2 EC	1 EC
T-Bar Lay-In	10-6, 12-6	1 - 1/8"	-2 1/2	-1 3/8	± 0	-13/16"	- 7/8"
Screw Mount **	11-1	Note: ** Not Recommended End Type For This Style					
Concealed Mount	12-1	1 - 1/8"	± 0	± 0	± 0	± 0	± 0
T-Bar Lay-In	22-6, 22-6	3/4"	-1 3/4	-1	± 0	-1/4	-1/8
T-Bar Lay-In	30-6, 32-6	1/2"	-1 1/4	-3/4	± 0	-1/4	-1/8
Concealed Spline, Drop Face, Bolt Slot	40-7, 40-8, 40-9	22/32"	- 7/8	- 9/16	± 0	-1/2	-3/8
Concealed Spline, Drop Face, Bolt Slot	42-7, 42-8, 42-9	22/32"	- 7/8	- 9/16	± 0	-1/2	-3/8
Mud Flange	50-1, 52-1	1 13/16	± 0	± 0	± 0	± 0	± 0
Sub Plaster Frames	22-73, 22-74, 22-75	3/4"	± 0	± 0	± 0	NA	NA

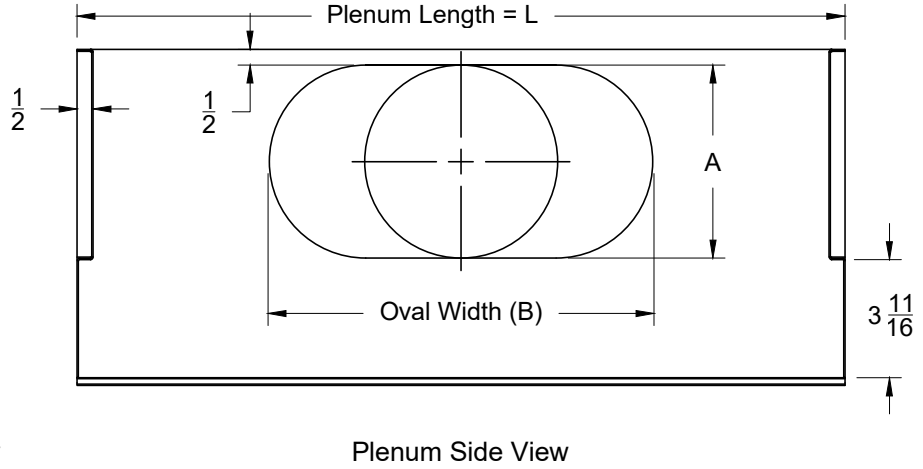
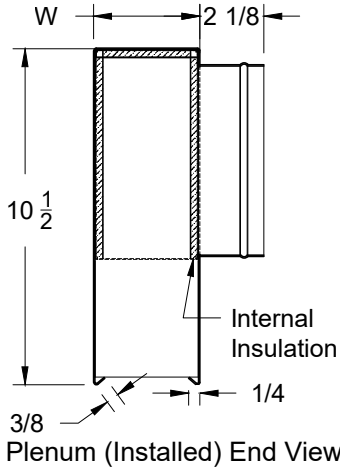
1. Available Finishes	2. Available Accessories	3. Available Options	4. Construction Details
	FODR - Face Operated Damper Rod ID - Inlet Damper LQ - Locking Quadrant Damper ROD - Remote Operated Damper	1EC - (1) End Cap 2EC - (2) End Caps 1EB - (1) End Border 2EB - (2) End Borders OO - Open / Open	<ul style="list-style-type: none"> Standard Lengths: 24, 36, 48, 60, 72 Custom Length available for extra charge 12" minimum – 72" maximum NI - No Inlet

All Dimensions ±1/16"

Model: UPI-6610

Universal Plenum Insulated for 1" Slot Linear Diffusers

UPI-6610 - Universal Plenum Insulated for 1" Slot Linear Diffusers



UPI-6610	20-6, 22-6	30-6,32-6	40-7/42-7 40-8/42-8 40-9/42-9	12-1/11-1 10-6/12-6 50-1/52-1
Number of Slots	Dim W	Dim W	Dim W	Dim W
1	2 5/8	2 15/16	2 9/16	2 3/4
2	4 7/16	4 3/4	4 5/16	4 1/2
3	6 1/8	6 1/2	6 1/16	6 1/8
4	7 7/8	8 3/16	7 13/16	8
5	9 3/4	10 1/16	9 5/8	9 11/16
6	11 5/8	11 3/4	11 3/8	11 1/2
7	14 1/4	13 9/16	13 1/8	13 3/16
8	15	15 1/4	14 7/8	14 15/16

Size	Type	A	B
6	Round	5 7/8	
8	Oval	5 7/8	8 15/16
10	Oval	5 7/8	12 1/16
12	Oval	5 7/8	15 1/4
14	Oval	5 7/8	18 7/16

L = Listed Size ± Linear End Types							
Description	FRAME	Border Size	2 EB / MM	1 EB / MO	No Ends	2 EC	1 EC
T-Bar Lay-In	10-6, 12-6	1 - 1/8"	-2 1/2	-1 3/8	± 0	-13/16"	- 7/8"
Screw Mount **	11-1	Note: ** Not Recommended End Type For This Style					
Concealed Mount	12-1	1 - 1/8"	± 0	± 0	± 0	± 0	± 0
T-Bar Lay-In	22-6, 22-6	3/4"	-1 3/4	-1	± 0	-1/4	-1/8
T-Bar Lay-In	30-6, 32-6	1/2"	-1 1/4	-3/4	± 0	-1/4	-1/8
Concealed Spline, Drop Face, Bolt Slot	40-7, 40-8, 40-9	22/32"	- 7/8	- 9/16	± 0	-1/2	-3/8
Concealed Spline, Drop Face, Bolt Slot	42-7, 42-8, 42-9	22/32"	- 7/8	- 9/16	± 0	-1/2	-3/8
Mud Flange	50-1, 52-1	1 13/16	± 0	± 0	± 0	± 0	± 0
Sub Plaster Frames	22-73, 22-74, 22-75	3/4"	± 0	± 0	± 0	NA	NA

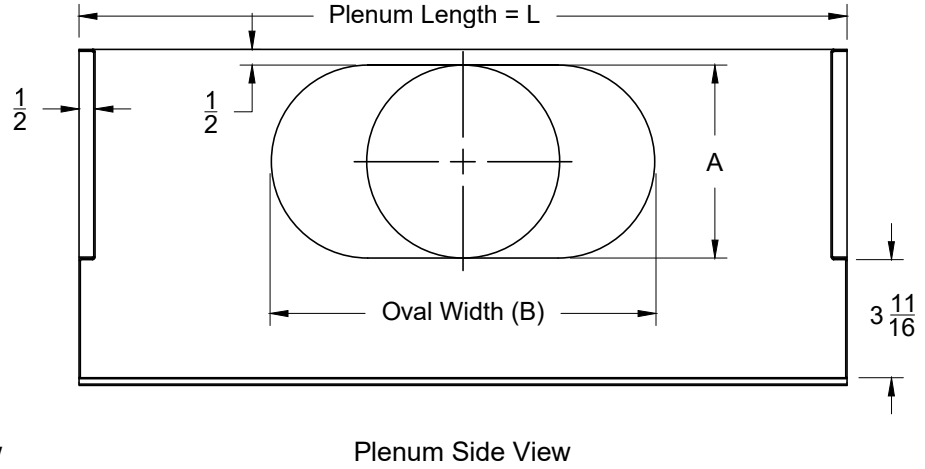
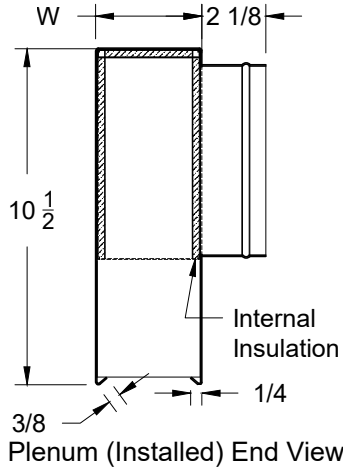
1. Available Finishes	2. Available Accessories	3. Available Options	4. Construction Details
	FODR - Face Operated Damper Rod ID - Inlet Damper LQ - Locking Quadrant Damper ROD - Remote Operated Damper	1EC - (1) End Cap 2EC - (2) End Caps 1EB - (1) End Border 2EB - (2) End Borders OO - Open / Open	<ul style="list-style-type: none"> Standard Lengths: 24, 36, 48, 60, 72 Custom Length available for extra charge 12" minimum – 72" maximum NI - No Inlet

All Dimensions ±1/16"

Model: UPI-6615

Universal Plenum Insulated for 1 1/2" Slot Linear Diffusers

UPI-6615 - Universal Plenum Insulated for 1 1/2" Slot Linear Diffusers



UPI-6615	20-6, 22-6	30-6,32-6	40-7/42-7 40-8/42-8 40-9/42-9	12-1/11-1 10-6/12-6 50-1/52-1
Number of Slots	Dim W	Dim W	Dim W	Dim W
1	3 1/8	3 7/16	3 1/16	3 1/4
2	5 7/16	5 3/4	5 3/8	5 1/2
3	7 5/8	8	7 9/16	8
4	9 7/8	10 3/16	9 13/16	10

Size	Type	A	B
6	Round	5 7/8	
8	Oval	5 7/8	8 15/16
10	Oval	5 7/8	12 1/16
12	Oval	5 7/8	15 1/4
14	Oval	5 7/8	18 7/16

L = Listed Size ± Linear End Types							
Description	FRAME	Border Size	2 EB / MM	1 EB / MO	No Ends	2 EC	1 EC
T-Bar Lay-In	10-6, 12-6	1 - 1/8"	-2 1/2	-1 3/8	± 0	-13/16"	- 7/8"
Screw Mount **	11-1	Note: ** Not Recommended End Type For This Style					
Concealed Mount	12-1	1 - 1/8"	± 0	± 0	± 0	± 0	± 0
T-Bar Lay-In	22-6, 22-6	3/4"	-1 3/4	-1	± 0	-1/4	-1/8
T-Bar Lay-In	30-6, 32-6	1/2"	-1 1/4	-3/4	± 0	-1/4	-1/8
Concealed Spline, Drop Face, Bolt Slot	40-7, 40-8, 40-9	22/32"	- 7/8	- 9/16	± 0	-1/2	-3/8
Concealed Spline, Drop Face, Bolt Slot	42-7, 42-8, 42-9	22/32"	- 7/8	- 9/16	± 0	-1/2	-3/8
Mud Flange	50-1, 52-1	1 13/16	± 0	± 0	± 0	± 0	± 0
Sub Plaster Frames	22-73, 22-74, 22-75	3/4"	± 0	± 0	± 0	NA	NA

1. Available Finishes	2. Available Accessories	3. Available Options	4. Construction Details
	FODR - Face Operated Damper Rod ID - Inlet Damper LQ - Locking Quadrant Damper ROD - Remote Operated Damper	1EC - (1) End Cap 2EC - (2) End Caps 1EB - (1) End Border 2EB - (2) End Borders OO - Open / Open	<ul style="list-style-type: none"> Standard Lengths: 24, 36, 48, 60, 72 Custom Length available for extra charge 12" minimum – 72" maximum NI - No Inlet

All Dimensions ±1/16"